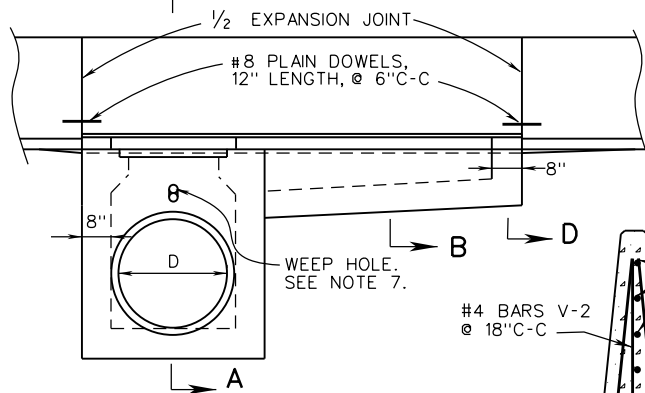
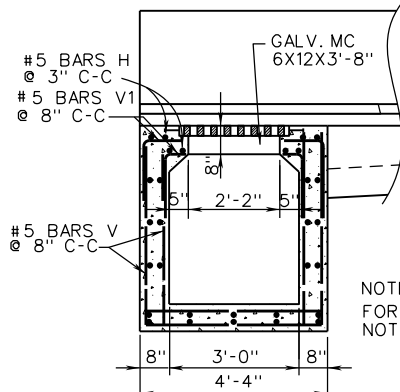


PLAN VIEW

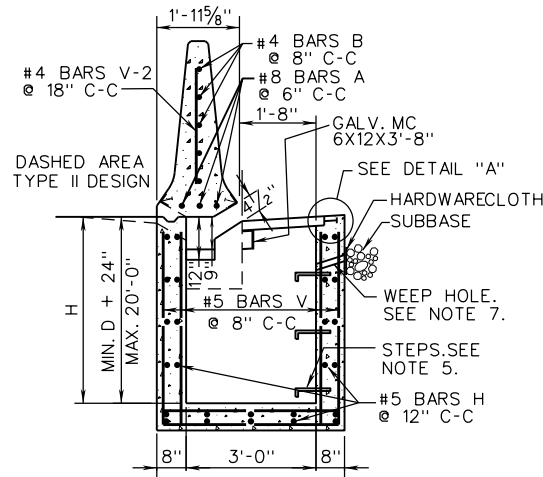


FRONT ELEVATION
(PAVEMENT REMOVED)

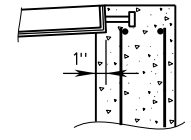


SECTION C-C

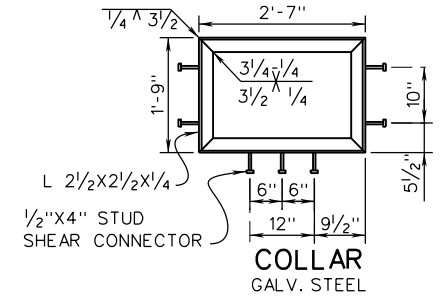
NOTE:
FOR DIMENSIONS, QUANTITIES AND NOTES
NOT SHOWN SEE SHEET 2 OF 2.



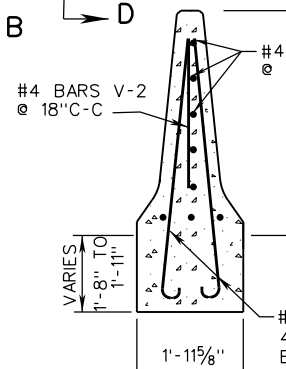
SECTION A-A
(PIPE NOT SHOWN)



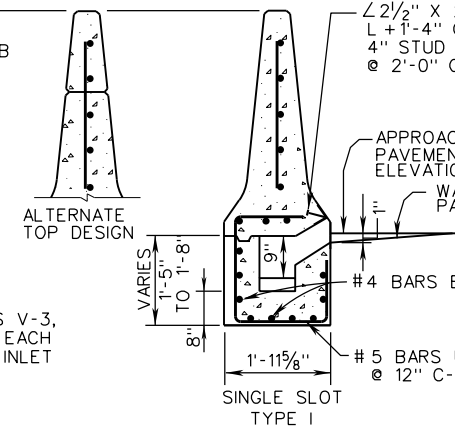
DETAIL "A"



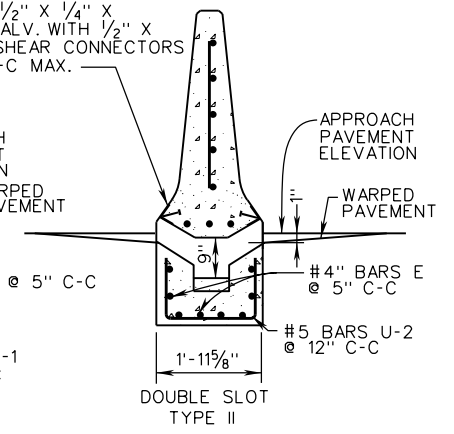
COLLAR
GALV. STEEL



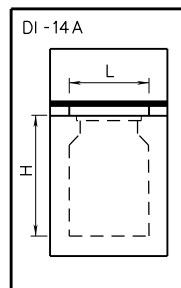
SECTION D-D



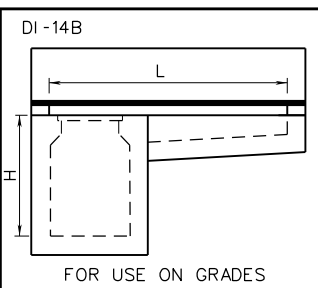
SECTION B-B
SINGLE SLOT
TYPE I



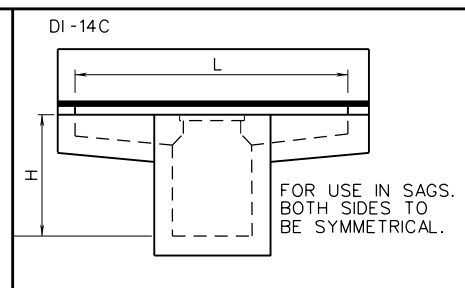
SECTION B-B
DOUBLE SLOT
TYPE II



DI-14A



DI-14B



DI-14C

FOR USE ON GRADES

FOR USE IN SAGS.
BOTH SIDES TO
BE SYMMETRICAL.

SPECIFICATION REFERENCE
233 302

CONCRETE MEDIAN BARRIER DROP INLET
12"-36" PIPE: DEPTH (H)=20'-0" MAX.

VIRGINIA DEPARTMENT OF TRANSPORTATION



ROAD AND BRIDGE STANDARDS

REVISION DATE SHEET 1 OF 2

104.38