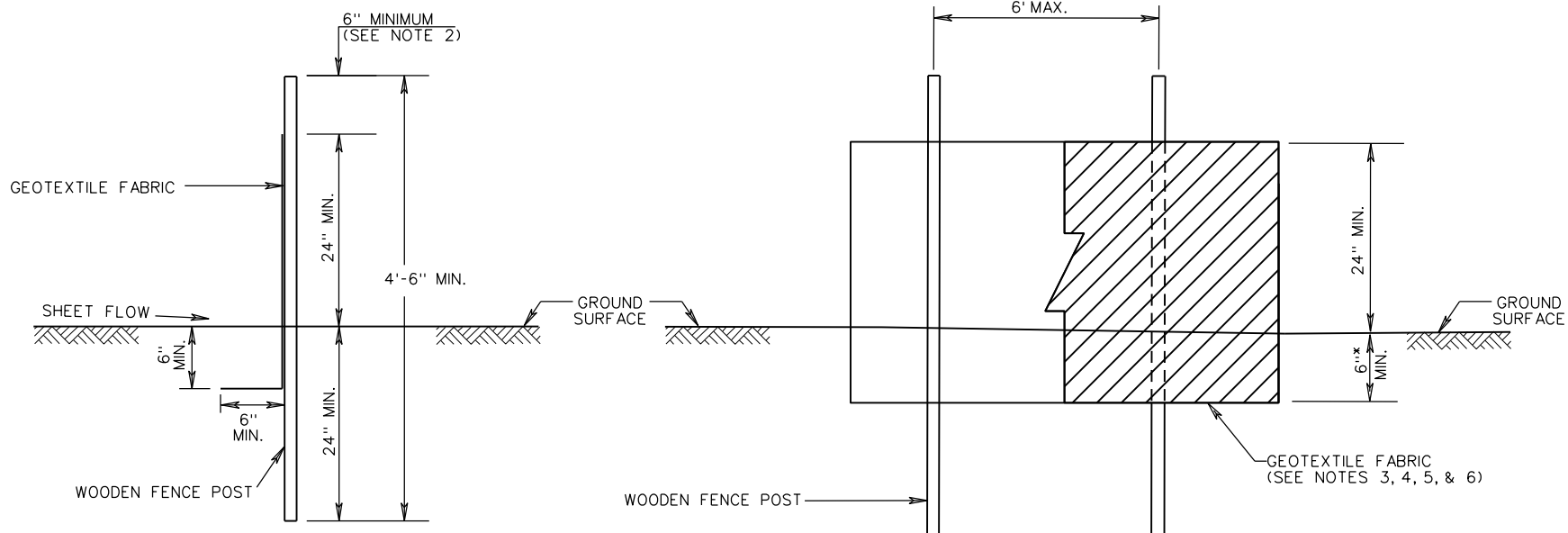


EC-5

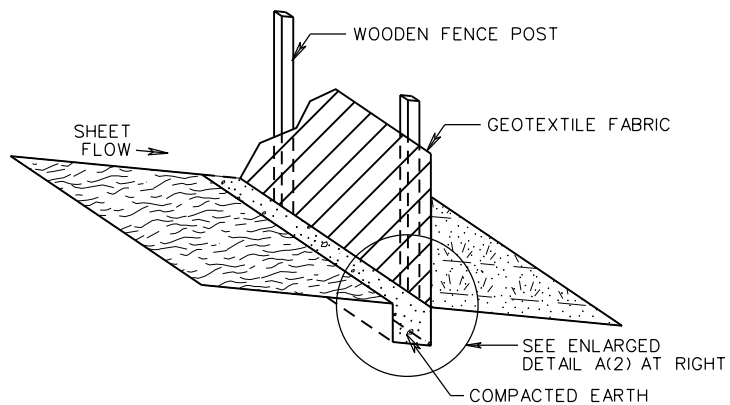
SILT FENCE TYPE A

SEE SHEET 1 FOR NOTES

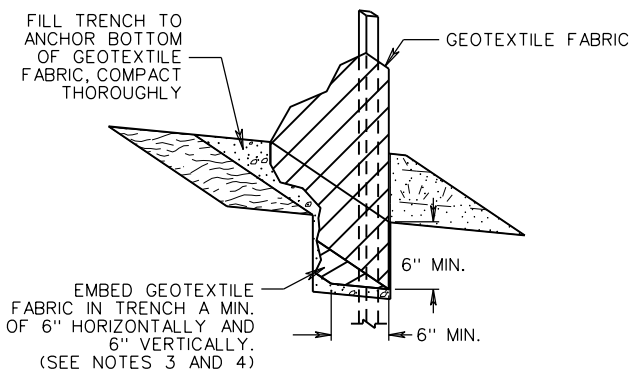


SECTION VIEW

PROFILE VIEW



DETAIL A(1)



DETAIL A(2)

A COPY OF THE ORIGINAL SEALED AND SIGNED DRAWING IS ON FILE IN THE CENTRAL OFFICE.

TEMPORARY SILT BARRIERS
SILT FENCE (TYPE A & B) AND BRUSH BARRIER

VIRGINIA DEPARTMENT OF TRANSPORTATION

SPECIFICATION REFERENCE

- 107
- 242
- 245
- 303



ROAD AND BRIDGE STANDARDS

SHEET 2 OF 4

REVISION DATE

113.07A

01/17