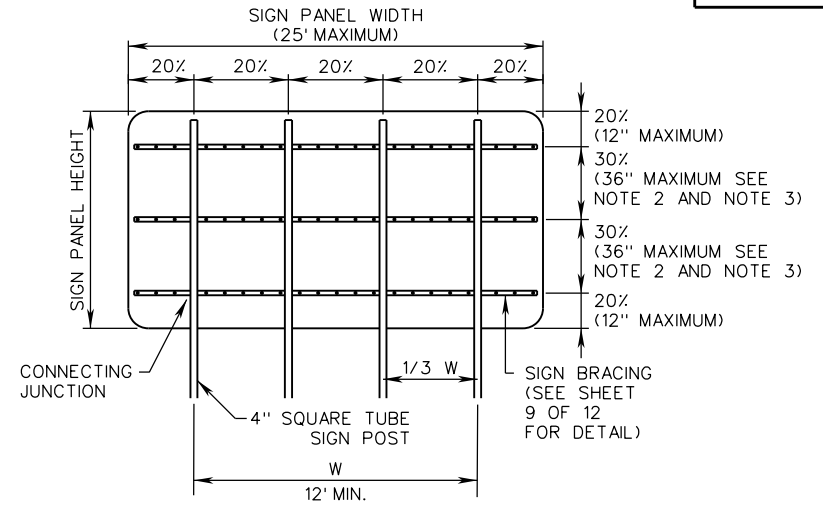
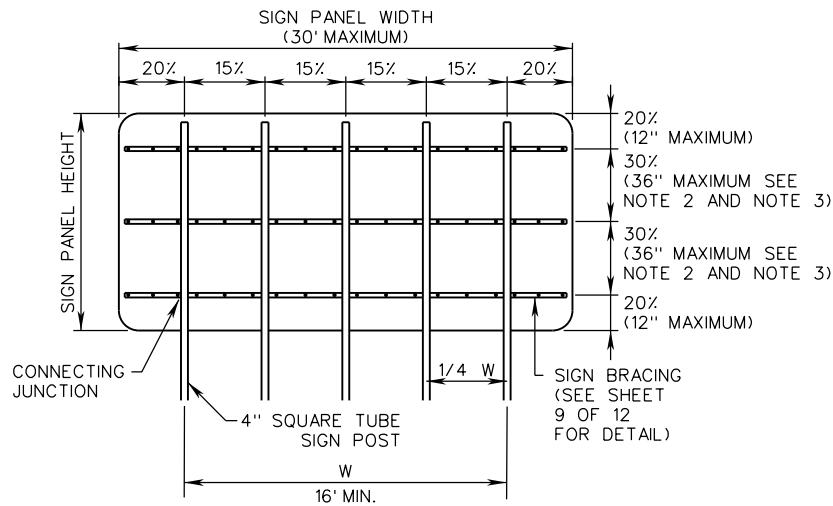


**THREE POST - BRACING DIAGRAM
TYPICAL - THREE BRACE**




**FOUR POST - BRACING DIAGRAM
TYPICAL - THREE BRACE**



**FIVE POST - BRACING DIAGRAM
TYPICAL - THREE BRACE**

NOTES:

SEE SHEET 1321.49 FOR ALL NOTES AND DETAILS NOT SHOWN.

SPECIFICATION REFERENCE	A COPY OF THE ORIGINAL SEALED AND SIGNED DRAWING IS ON FILE IN THE CENTRAL OFFICE. FOUR INCH SQUARE TUBE SIGN POST SIGN BRACING AND SIGN PANEL ATTACHMENT DETAILS	 ROAD AND BRIDGE STANDARDS	
VIRGINIA DEPARTMENT OF TRANSPORTATION			