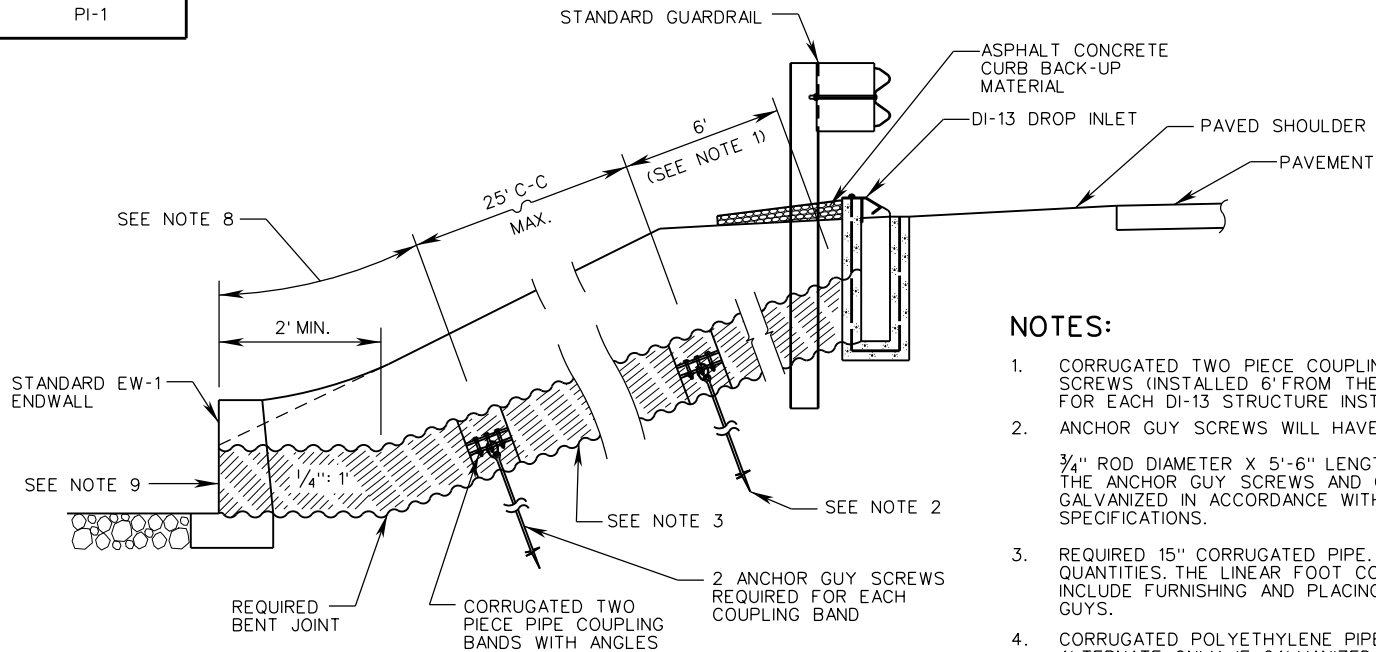
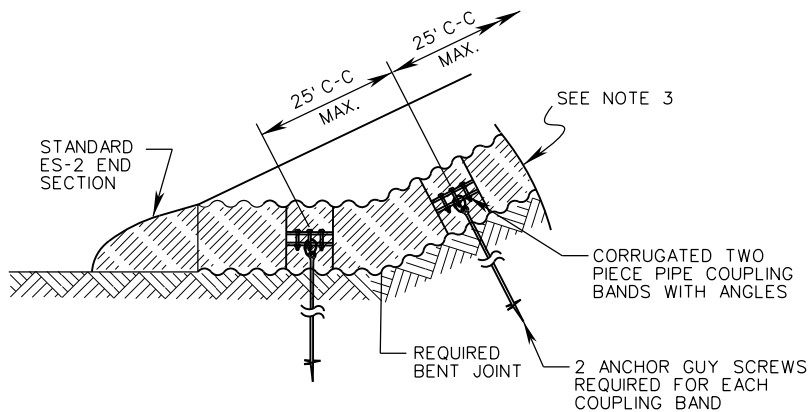


PI-1



METHOD I



METHOD II

NOTES:

1. CORRUGATED TWO PIECE COUPLING BANDS AND 2 ANCHOR GUY SCREWS (INSTALLED 6' FROM THE STRUCTURE) ARE REQUIRED FOR EACH DI-13 STRUCTURE INSTALLATION. (SEE DI-13 STANDARD)
2. ANCHOR GUY SCREWS WILL HAVE THE FOLLOWING DIMENSIONS:
3/4" ROD DIAMETER X 5'-6" LENGTH, WITH A 6" DIAMETER HELIX. THE ANCHOR GUY SCREWS AND COUPLING BANDS WILL BE GALVANIZED IN ACCORDANCE WITH SECTION 233 OF THE SPECIFICATIONS.
3. REQUIRED 15" CORRUGATED PIPE. SEE PLAN FOR LINEAR FOOT QUANTITIES. THE LINEAR FOOT COST FOR THE PIPE WILL INCLUDE FURNISHING AND PLACING COUPLINGS AND ANCHOR GUYS.
4. CORRUGATED POLYETHYLENE PIPE MAY BE USED AS AN ALTERNATE ONLY IF GALVANIZED METAL COUPLING BANDS ARE USED AND CAN BE SECURED TO THE PIPE AND REQUIRED ANCHOR GUY SCREWS. THE METHOD WILL REQUIRE A SUBMITTAL TO THE ENGINEER FOR REVIEW AND APPROVAL PRIOR TO INSTALLATION.
5. THE 15" CORRUGATED PIPE WILL BE TERMINATED AT THE TOE OF FILL SLOPE WITH AN APPROPRIATE END TREATMENT. FOR SLOPES STEEPER THAN 3:1 (MAX. 1.5:1) THE 15" PIPE WILL BE TERMINATED IN ACCORDANCE WITH METHOD I. FOR SLOPES 3:1 AND FLATTER THE PIPE MAY BE TERMINATED IN ACCORDANCE WITH METHOD II INSTEAD OF METHOD I. (SEE PLANS FOR REQUIRED TYPE OF STRUCTURE)
6. PIPE BEDDING SHALL NOT BE USED.

METHOD I:

7. TERMINATE PIPE WITH A STANDARD END WALL OR OTHER DRAINAGE STRUCTURE AS DETAILED IN THE PLANS OR DIRECTED BY THE ENGINEER. FOR PIPE LENGTHS 50 FT. AND LONGER MEASURED FROM THE BACK OF DI-13 INLET, COUPLING BANDS WITH ANCHOR GUYS ARE TO BE USED AT 25' C-C MAXIMUM SPACING.
8. WHEN THE SPACING OF THE LOWEST COUPLING FALLS CLOSER THAN 25 FT. TO THE RECEIVING STRUCTURE AT THE TOE OF SLOPE, THAT DISTANCE IS TO BE ADDED TO THE LAST FULL 25' SPACE AND THE COUPLING IS TO BE SPACED MID-WAY OF THE COMBINED DISTANCE.
9. IF A PRECAST STRUCTURE IS USED THE PIPE WILL BE CONNECTED TO THE WALL IN ACCORDANCE WITH SECTION 302 OF THE SPECIFICATIONS.

METHOD II:

10. TERMINATE PIPE WITH A STANDARD ES-2 END SECTION ANCHORED WITH COUPLING BAND AND ANCHOR GUYS. FOR PIPE LENGTHS 50 FT. AND LONGER MEASURED FROM THE BACK OF DI-13 INLET, COUPLING BANDS WITH ANCHOR GUYS ARE TO BE USED AT 25' C-C MAXIMUM SPACING.

VDOT	
ROAD AND BRIDGE STANDARDS	
SHEET 1 OF 1	REVISION DATE
104.37	04/20

A COPY OF THE ORIGINAL SEALED AND SIGNED DRAWING IS ON FILE IN THE CENTRAL OFFICE.
METHOD OF OUTLET PIPE INSTALLATION FOR DI-13

VIRGINIA DEPARTMENT OF TRANSPORTATION

SPECIFICATION REFERENCE
232 233 302