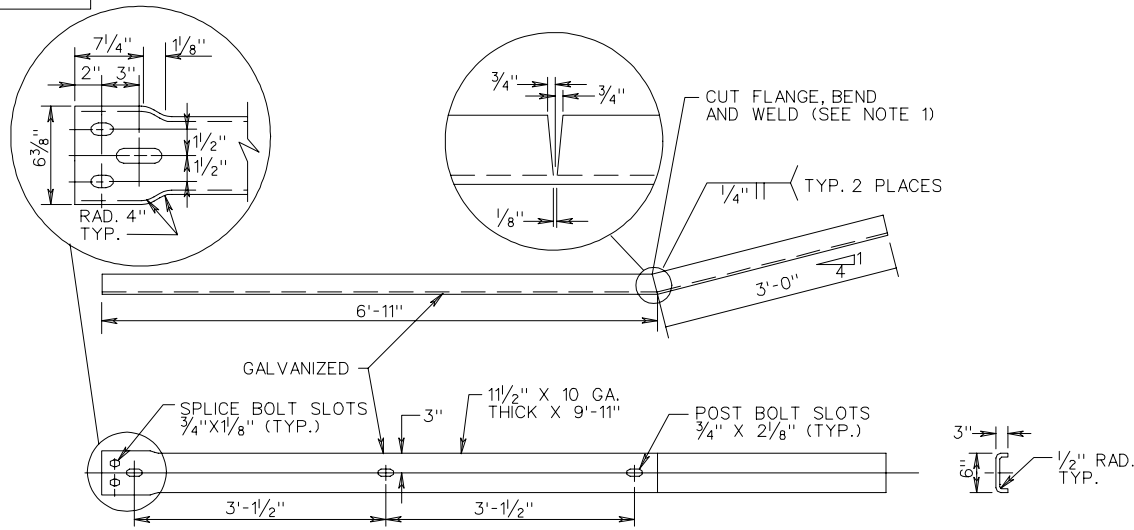
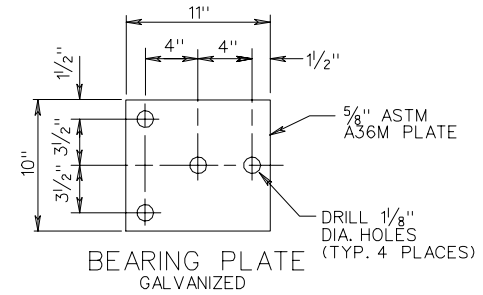


GR-FOA-1



NOTE:
CAN BE FIELD CUT AND BENT USING HEAT.
IF SHOP CUT AND BENT, RIGHT HAND OR LEFT
HAND MUST BE SPECIFIED DEPENDING ON
WHICH SIDE OF THE ROADWAY THE TRANSITION
IS USED.

ITEM ⑦ DETAIL



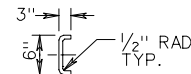
☆ CAN BE FIELD CUT AND BENT USING HEAT.

WOOD POSTS
RUBRAIL BLOCKOUTS
7" X 4" X THICKNESS

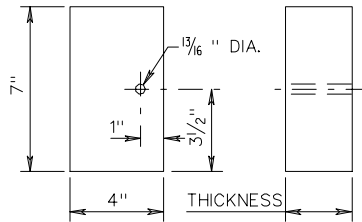
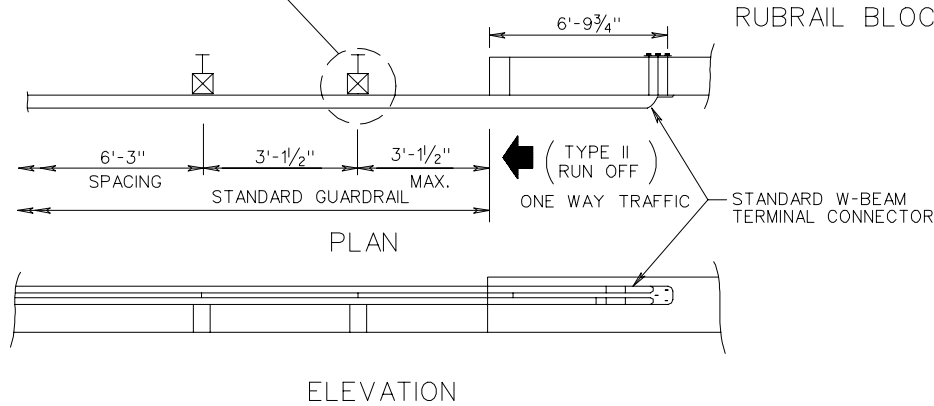
POST	THICKNESS
1	6 5/8"
2	5/16"
3	3 3/16"
4	2"

STEEL POSTS
RUBRAIL BLOCKOUTS
7" X 4" X THICKNESS

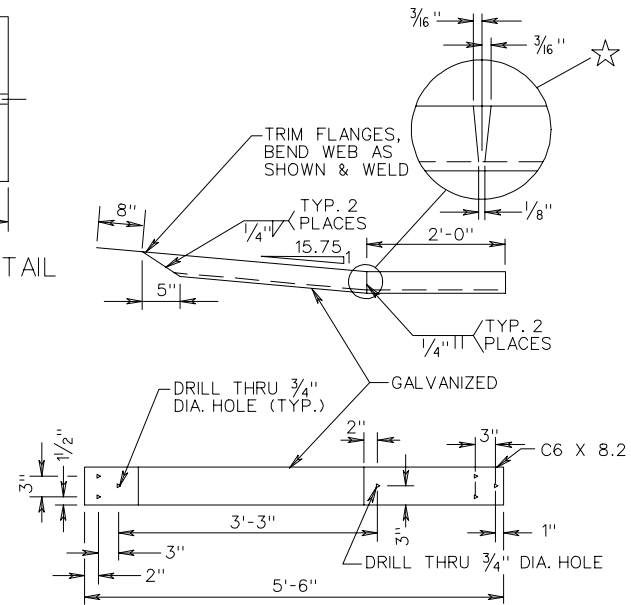
POST	THICKNESS
1	5"
2	3 3/16"
3	2 5/8"
4	1 1/6"



INDICATES EXTRA POST REQ'D. FOR
RUN-OFF FIXED OBJECT ATTACHMENT
ST'D. GR-FOA-1 TYPE II



RUBRAIL BLOCKOUT DETAIL



ITEM ⑧ DETAIL

SHEET 3 OF 3

W BEAM GUARDRAIL - FIXED OBJECT ATTACHMENT
RUBRAIL AND HARDWARE DETAILS

SPECIFICATION
REFERENCE

505

REV. 7/01

501.27