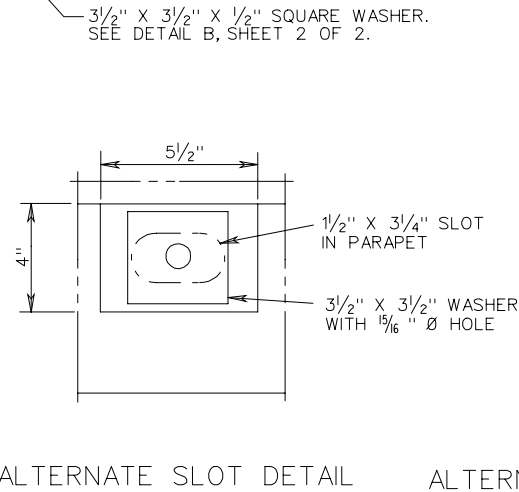
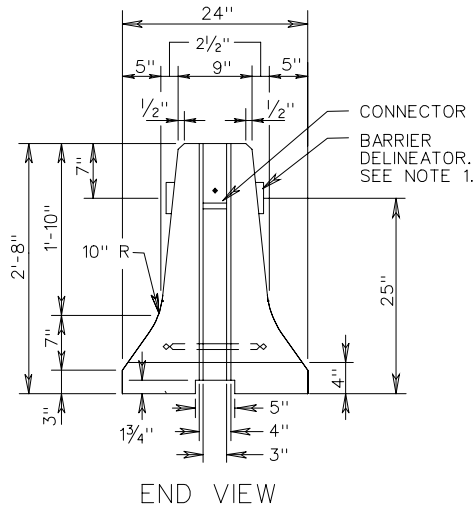
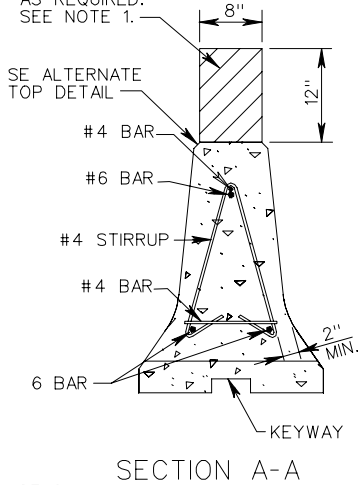


8" X 12" BARRIER VERTICAL PANELS AS REQUIRED. SEE NOTE 1.

SEE ALTERNATE TOP DETAIL



TRAFFIC BARRIER SERVICE CONCRETE PARAPET (DOUBLE FACE)
(FOR TEMPORARY INSTALLATION ON BRIDGE DECK EXTERIOR)

SPECIFICATION REFERENCE

105
512