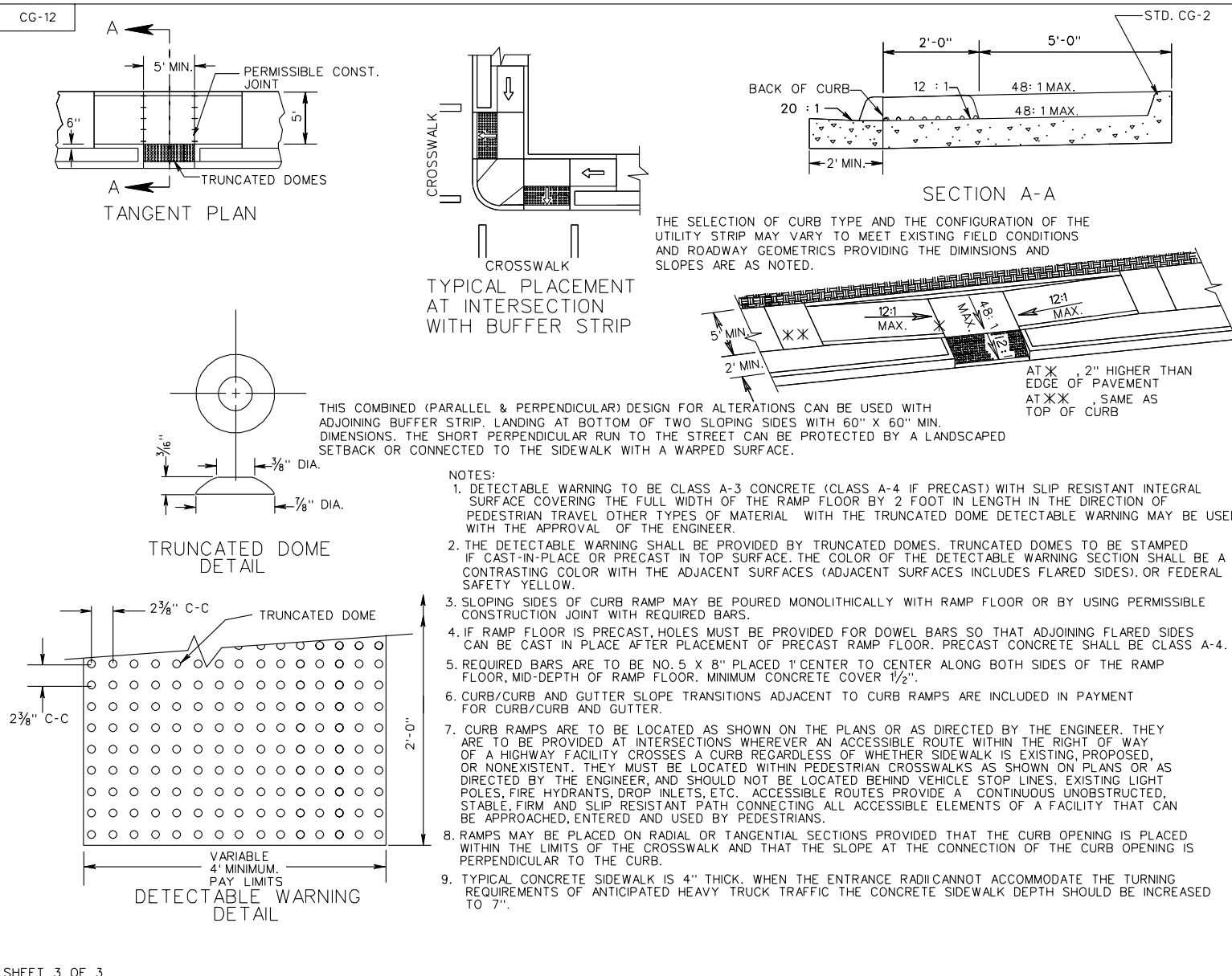


REVISED ON 7/04



SHEET 3 OF 3

CG-12 DETECTABLE WARNING SURFACE
 TYPE C (PARALLEL & PERPENDICULAR) APPLICATION
 VIRGINIA DEPARTMENT OF TRANSPORTATION

REV. 1/04
 203.07

SPECIFICATION REFERENCE
105 502