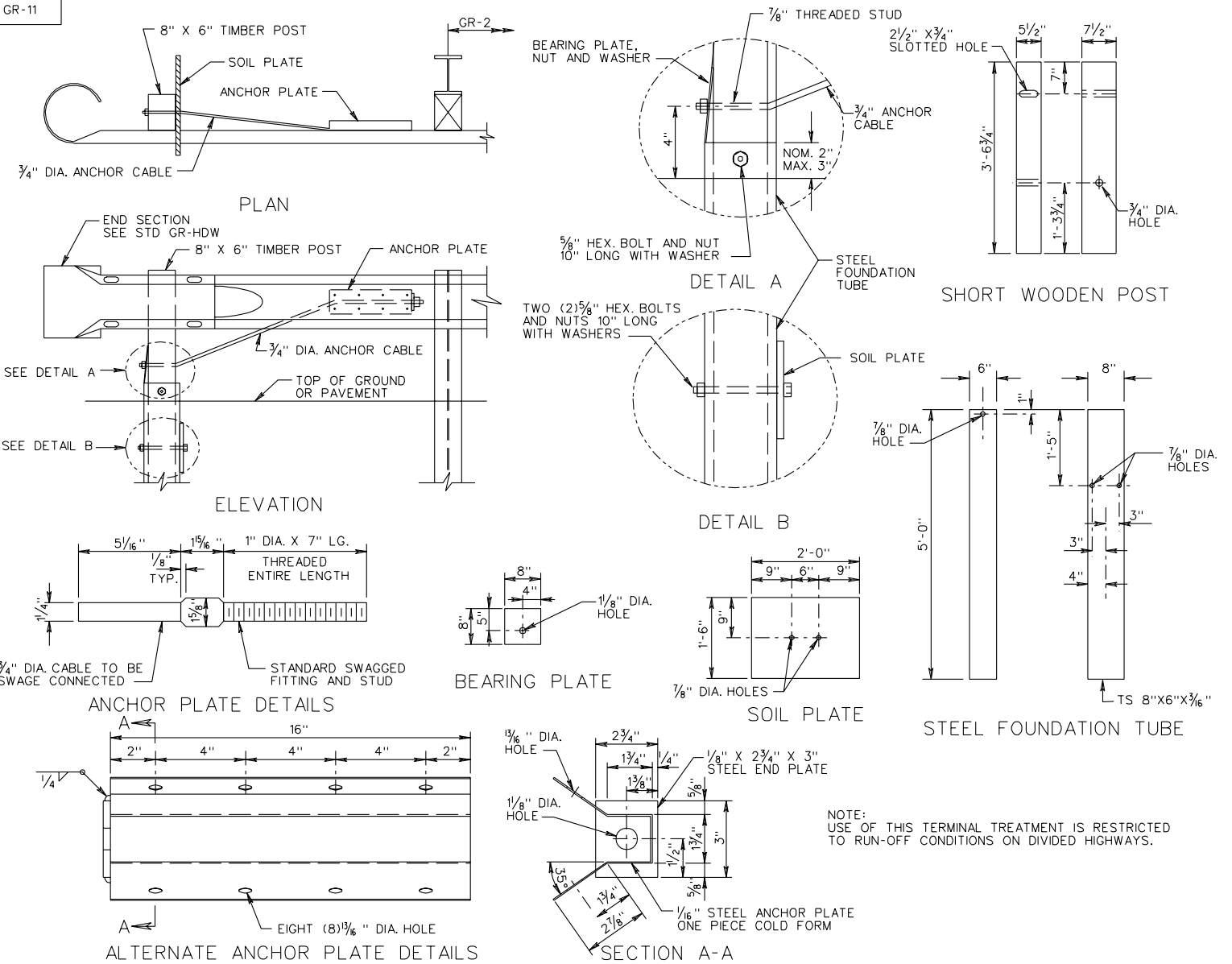


REVISED ON 3/03

GR-11



TRAILING END TERMINAL TREATMENT

NEW 7/02

501.21

VIRGINIA DEPARTMENT OF TRANSPORTATION

SPECIFICATION REFERENCE

505

221