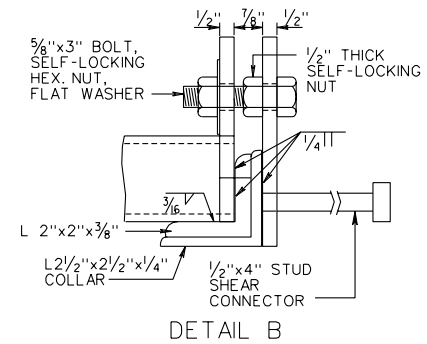
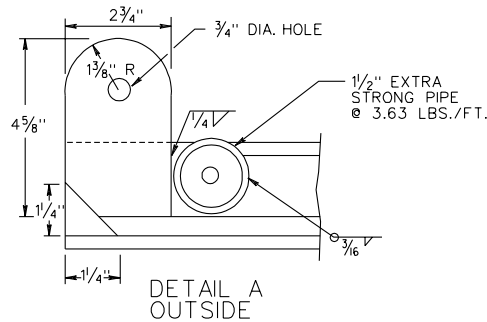
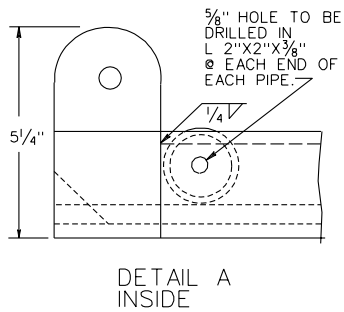
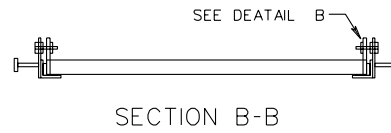
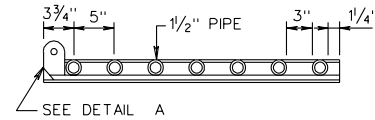
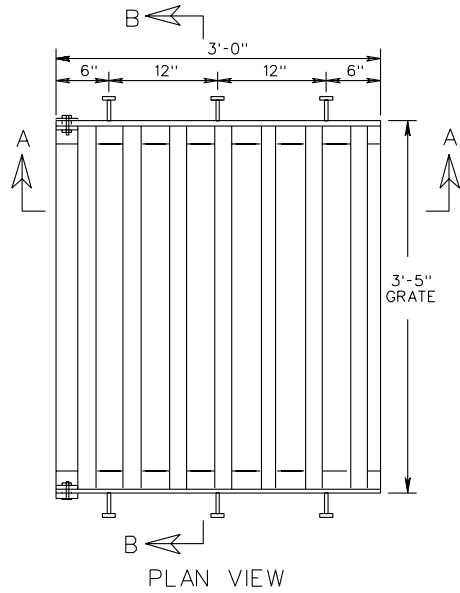


VOID ON 3/03

SWM-1

NOTE:

GRATE AND COLLAR ARE TO BE GALVANIZED AFTER FABRICATION. COST OF THIS GRATE AND COLLAR ARE TO BE INCLUDED IN THE PRICE BID FOR STORMWATER MANAGEMENT DRAINAGE STRUCTURE.



SHEET 3 OF 3

SPECIFICATION REFERENCE
302

STORMWATER MANAGEMENT DRAINAGE STRUCTURE
GRATE DETAILS

VIRGINIA DEPARTMENT OF TRANSPORTATION

VOID ON 3/03

116.03

Filename: replace116
Directory: K:\Electronic Pubs\2001 Standards\Word\3-03rev
Template: C:\Program Files\Microsoft Office\Office\Normal.dot
Title:
Subject:
Author: kelley_pe
Keywords:
Comments:
Creation Date: 2/19/2003 3:20 PM
Change Number: 3
Last Saved On: 3/3/2003 11:04 AM
Last Saved By: kelley_pe
Total Editing Time: 6 Minutes
Last Printed On: 3/11/2003 2:33 PM
As of Last Complete Printing
Number of Pages: 6
Number of Words: 2 (approx.)
Number of Characters: 15 (approx.)