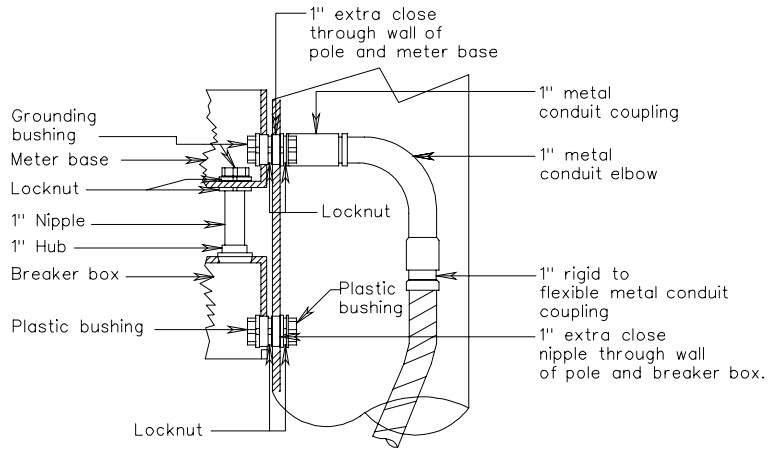
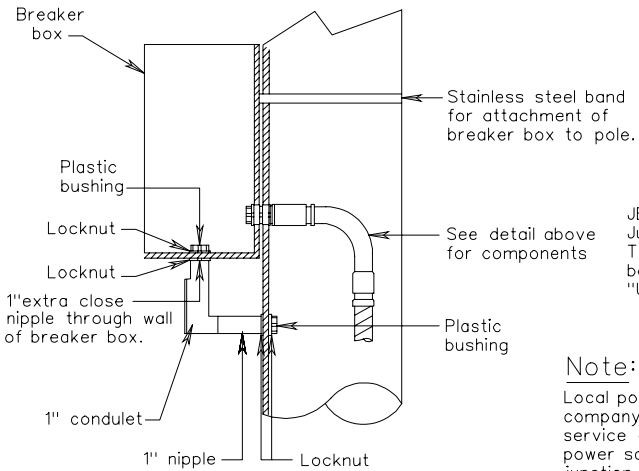


DETAIL



ALTERNATE DETAIL
(Used when meter base not required)

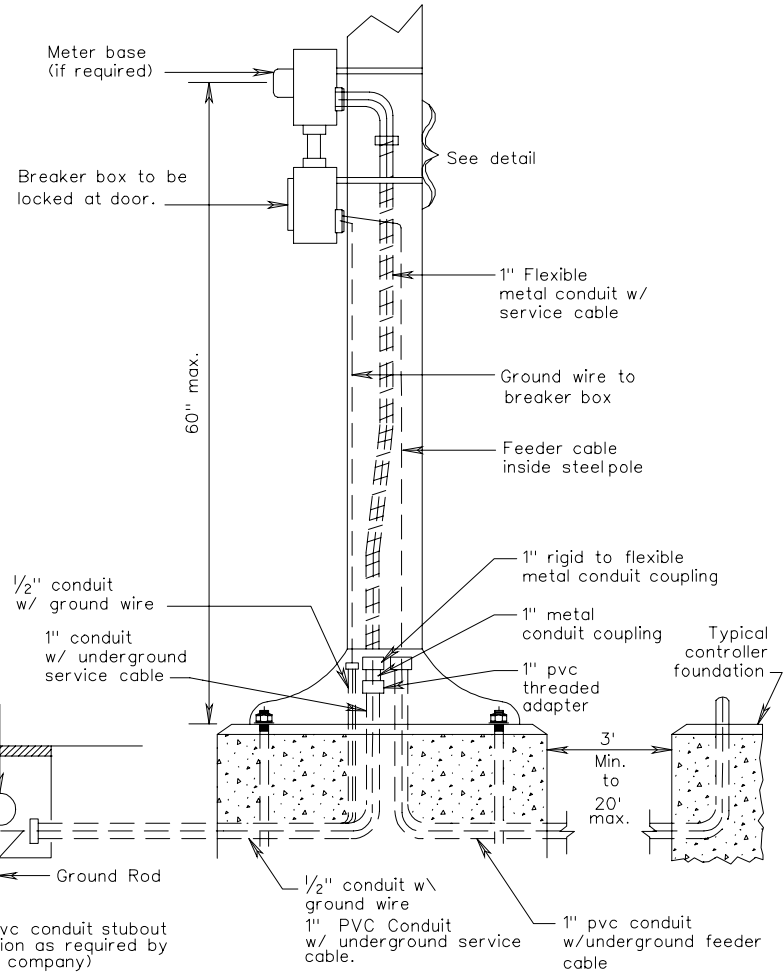


Underground service cable coiled in box with sufficient length to allow the cables to extend at least 2' above the junction box

JB-1A, 1B, or 1C Junction box
Top of junction box shall read "UTILITY"

Note:

Local power utility company will install service cable from their power source to the junction box and make required splices to the service cable coiled in the junction box.



TYPE B

ELECTRICAL SERVICE DETAILS
SIGNAL INSTALLATION

VIRGINIA DEPARTMENT OF TRANSPORTATION