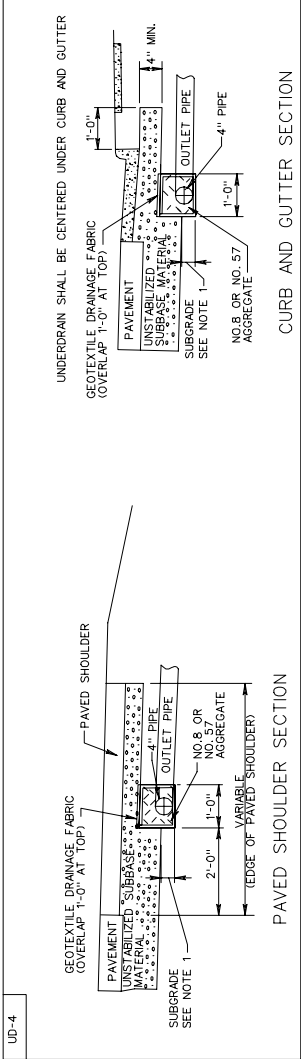


SURVEYED BY \_\_\_\_\_  
SUPERVISED BY AAA  
DESIGNED BY BBB

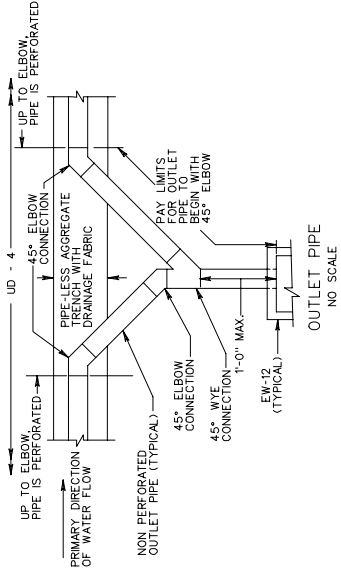
DESIGN FEATURES RELATING TO CONSTRUCTION OR TO REGULATION AND CONTROL OF TRAFFIC MAY BE SUBJECT TO CHANGE AS DEEMED NECESSARY BY THE DEPARTMENT

REVISED	STATE	FEDERAL AID PROJECT	ROUTE	STATE PROJECT	SHEET NO.
	VA.				



CURB AND GUTTER SECTION

PAVED SHOULDER SECTION

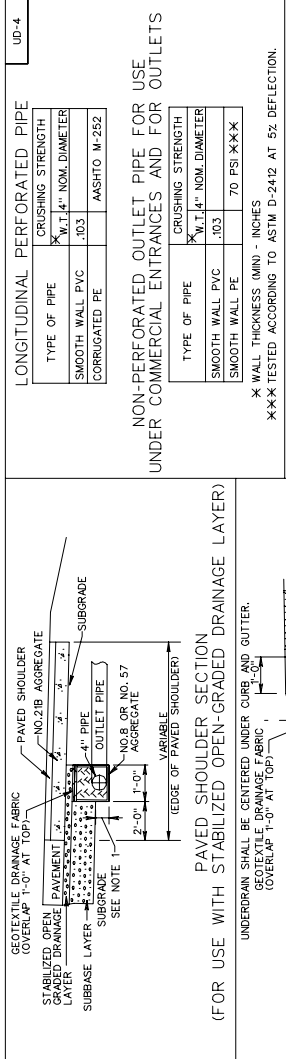


SHEET 1 OF 2

STANDARD PAVEMENT EDGEDRAIN

VIRGINIA DEPARTMENT OF TRANSPORTATION

SPECIFICATION REFERENCE
240
258
501
701



TYPE OF PIPE	CRUSHING STRENGTH
SMOOTH WALL PVC	*W.T. 4" NOM. DIAMETER
CORRUGATED PE	AASHTO M-252

TYPE OF PIPE	CRUSHING STRENGTH
SMOOTH WALL PVC	*W.T. 4" NOM. DIAMETER
SMOOTH WALL PE	70 PSI XXX

\* W.T. THICKNESS (MIN) - INCHES  
\*XXX TESTED ACCORDING TO ASTM D-2412 AT 5% DEFLECTION.

PAVED SHOULDER SECTION (FOR USE WITH STABILIZED OPEN-GRADED DRAINAGE LAYER)

CURB AND GUTTER SECTION (FOR USE WITH STABILIZED OPEN-GRADED DRAINAGE LAYER)

- NOTES:
- 4" MINIMUM, PROVIDED ATTAINING MINIMUM 4" OF AGGREGATE ON TOP OF PIPE.
  - WHERE THE LONGITUDINAL PERFORATED PIPE ALIGNS WITH A DRAINAGE STRUCTURE SUCH AS A MANHOLE OR CURB AND GUTTER, THE PERFORATED PIPE SHALL BE CONNECTED DIRECTLY TO THE DRAINAGE STRUCTURE. WHERE THE LONGITUDINAL PERFORATED PIPE IS CONTINUOUS, IT SHALL BE CONNECTED TO EACH SIDE OF THE DRAINAGE STRUCTURE.
  - INVERT ELEVATION AT OUTLET END OF OUTLET PIPE TO BE A MINIMUM OF 1'-0" ABOVE INVERT ELEVATION OF RECEIVING DRAINAGE DITCH OR STRUCTURE.
  - ALL CONNECTIONS (ELBOWS, WYES, ETC.) WITHIN PAY LIMITS FOR OUTLET PIPE ARE TO BE OF THE SAME CRUSHING STRENGTH AS THE OUTLET PIPE.
  - OUTLET PIPES ARE TO BE INSTALLED ON 2% MIN. (3% DESIRABLE) GRADE AND LOCATED EVERY 350' MAXIMUM OR AS NOTED ON PLANS.
  - OUTLET PIPE TO BE SECURELY CONNECTED TO EW-12 OR OTHER DRAINAGE STRUCTURE.
  - WITHIN THE LIMITS OF A COMMERCIAL ENTRANCE, NON-PERFORATED PIPE SHALL BE UTILIZED IN LIEU OF PERFORATED PIPE.
  - THE LENGTH OF PIPE BETWEEN THE WYE CONNECTION AND THE EW-12 SHALL BE LIMITED TO NO MORE THAN 1'-0" TO PERMIT CAMERA INSPECTION OF THE MAIN LINE IN EITHER DIRECTION.
  - IN SITUATIONS WHEN FULL DEPTH OF STABILIZED OPEN-GRADED MATERIAL CANNOT BE USED UNDER CURB AND GUTTER, NO. 21B AGGREGATE SHALL BE USED UNDER CURB AND GUTTER. NO. 21B AGGREGATE MAY ALSO BE USED FROM TOP OF STABILIZED OPEN-GRADED MATERIAL LAYER AND CURB AND GUTTER.

SPECIFICATION REFERENCE
240
258
501
701

SHEET 2 OF 2

STANDARD PAVEMENT EDGEDRAIN

VIRGINIA DEPARTMENT OF TRANSPORTATION

SPECIFICATION REFERENCE
240
258
501
701

REV. 2/06  
SPECIAL DESIGN SECTION  
DRAWING NO. A-81

PLAN NO.	PROJECT	FILE NO.	SHEET NO.