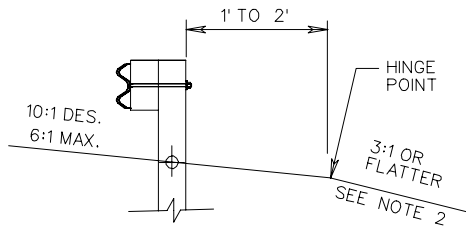


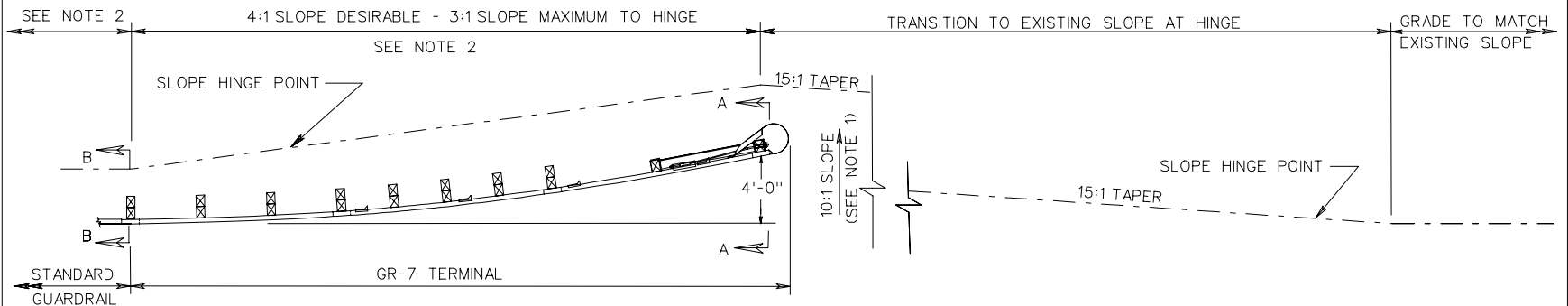
SECTION A-A



SECTION B-B

NOTES:

1. THE CROSS SLOPE OF THE GRADE APPROACHING THE GUARDRAIL TERMINAL, AND ADJACENT TO FOR ITS FULL LENGTH, MUST BE 10:1. IF THE EXISTING GRADE IS FLAT OR IS A POSITIVE SLOPE DUE TO THE SUPERELEVATION OF THE ROADWAY PAVEMENT, THE MIN. OFFSET FROM BEHIND THE POST TO THE HINGE POINT, AS SHOWN, IS REQUIRED.
2. THE AREA IMMEDIATELY BEHIND AND BEYOND THE TERMINAL SHOULD BE TRAVERSABLE AND FREE FROM FIXED OBJECTS. IF A CLEAR RUN OUT IS NOT ATTAINABLE THIS AREA SHOULD AT LEAST BE SIMILAR IN CHARACTER TO THE UPSTREAM UNSHIELDED ROADSIDE AREAS.
3. FOR NEW CONSTRUCTION, RECONSTRUCTION, AND 3R WORK THE 10:1 SLOPE GRADING MUST EXTEND A MINIMUM OF 3'-3" BEHIND THE END POST.



GUARDRAIL TERMINAL INSTALLATION SITE PREPARATION
REQUIREMENTS FOR GR-7