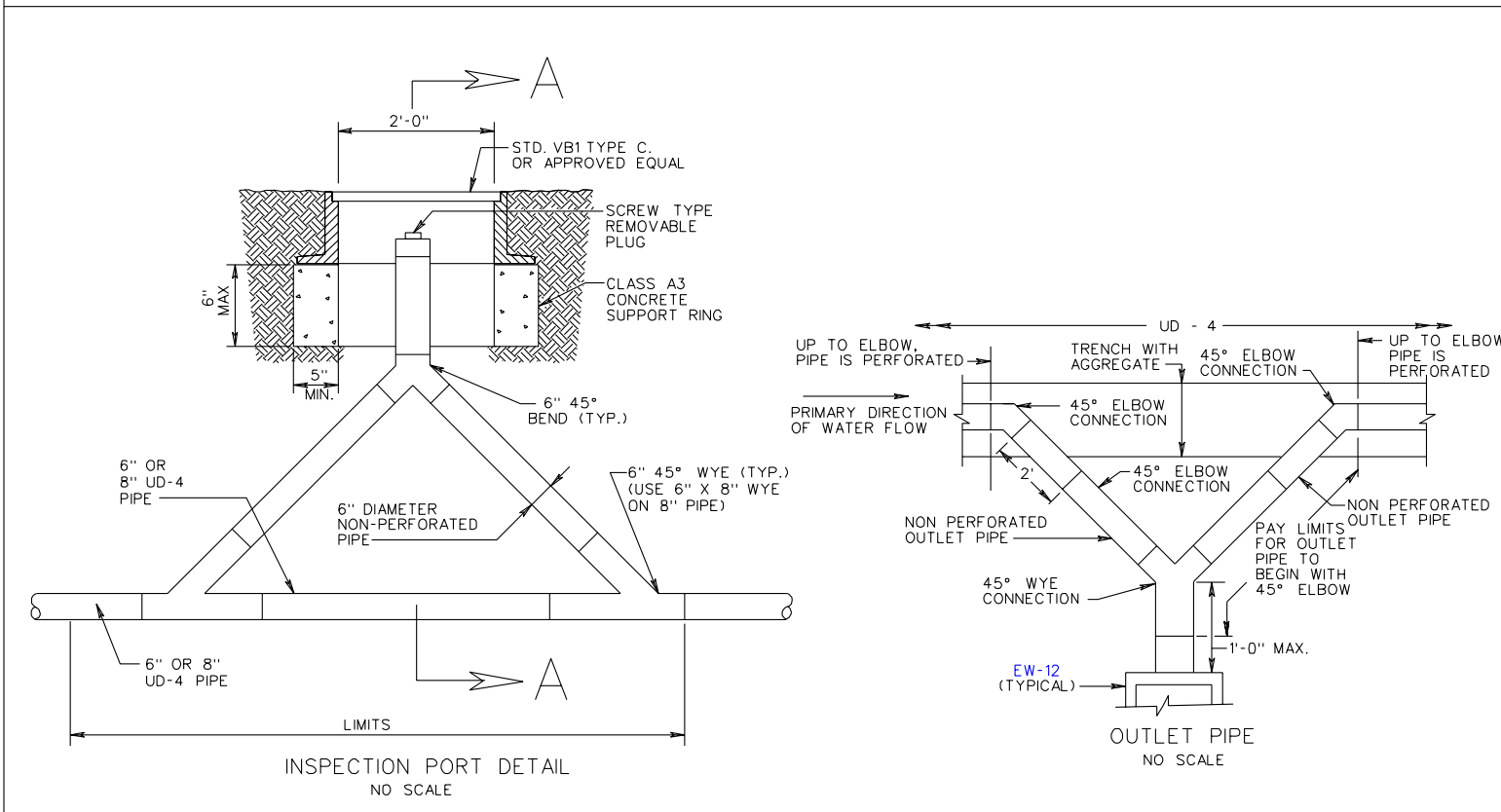
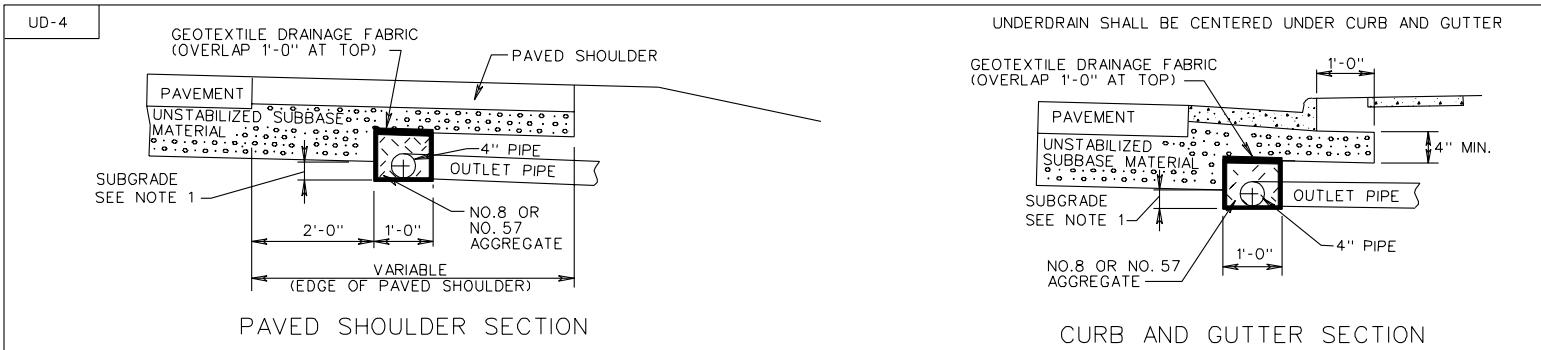


REVISED ON 1-04



SHEET 1 OF 2		<p>STANDARD PAVEMENT EDGEDRAIN</p> <p>VIRGINIA DEPARTMENT OF TRANSPORTATION</p>	SPECIFICATION REFERENCE
Rev. 7/03	108.06		<p>240</p> <p>258</p> <p>501</p> <p>701</p>