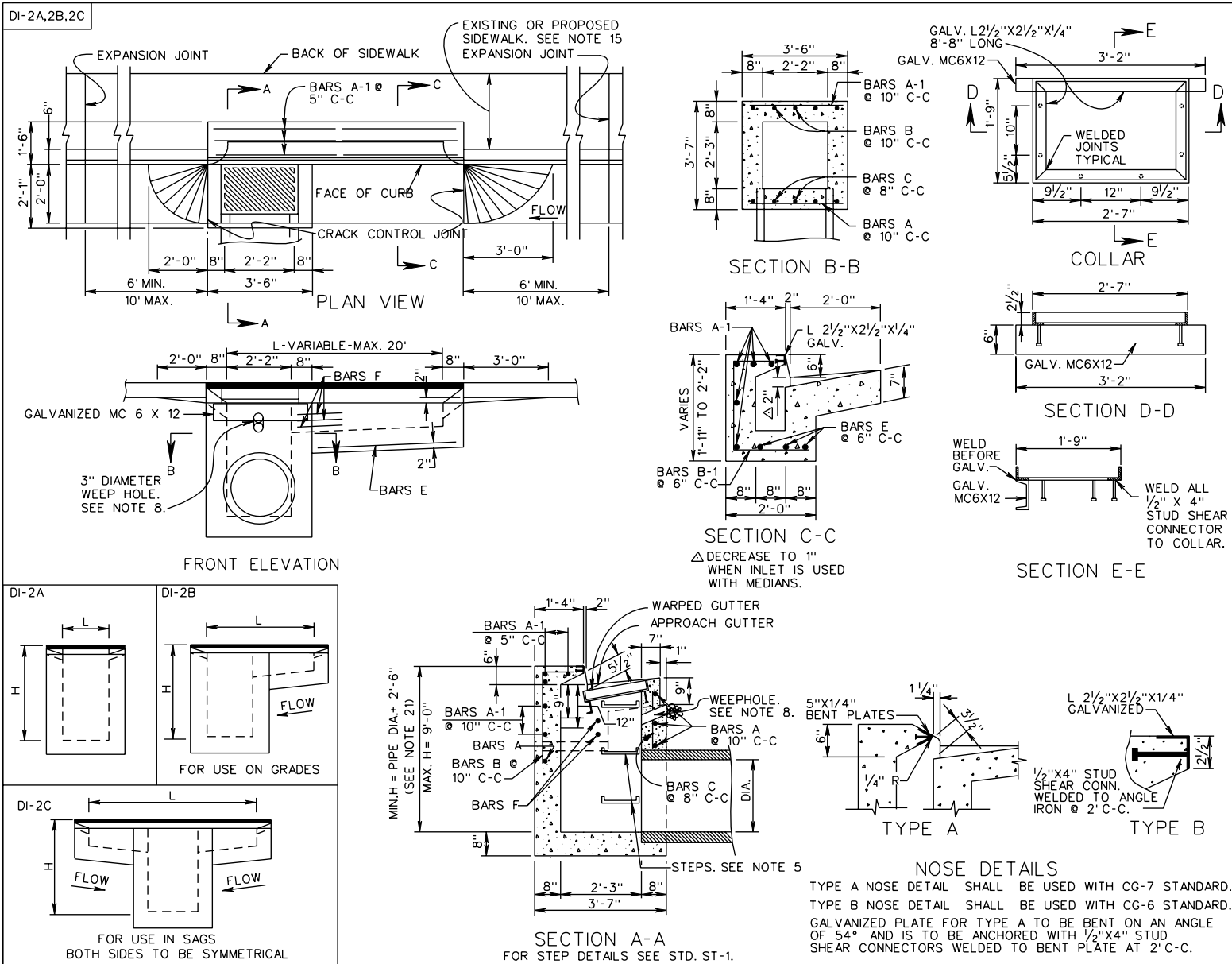


REVISED ON 1-04



SHEET 1 OF 2

STANDARD CURB DROP INLET

12" - 24" PIPE: MAXIMUM DEPTH (H) = 9'

VIRGINIA DEPARTMENT OF TRANSPORTATION

SPECIFICATION REFERENCE
233
302

104.03