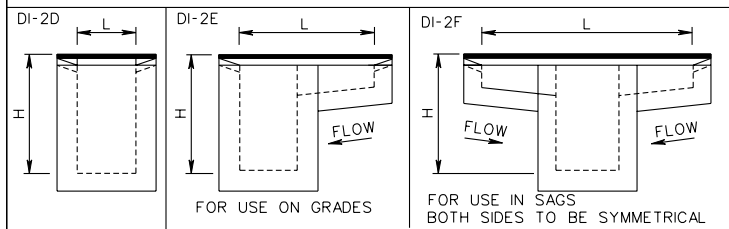
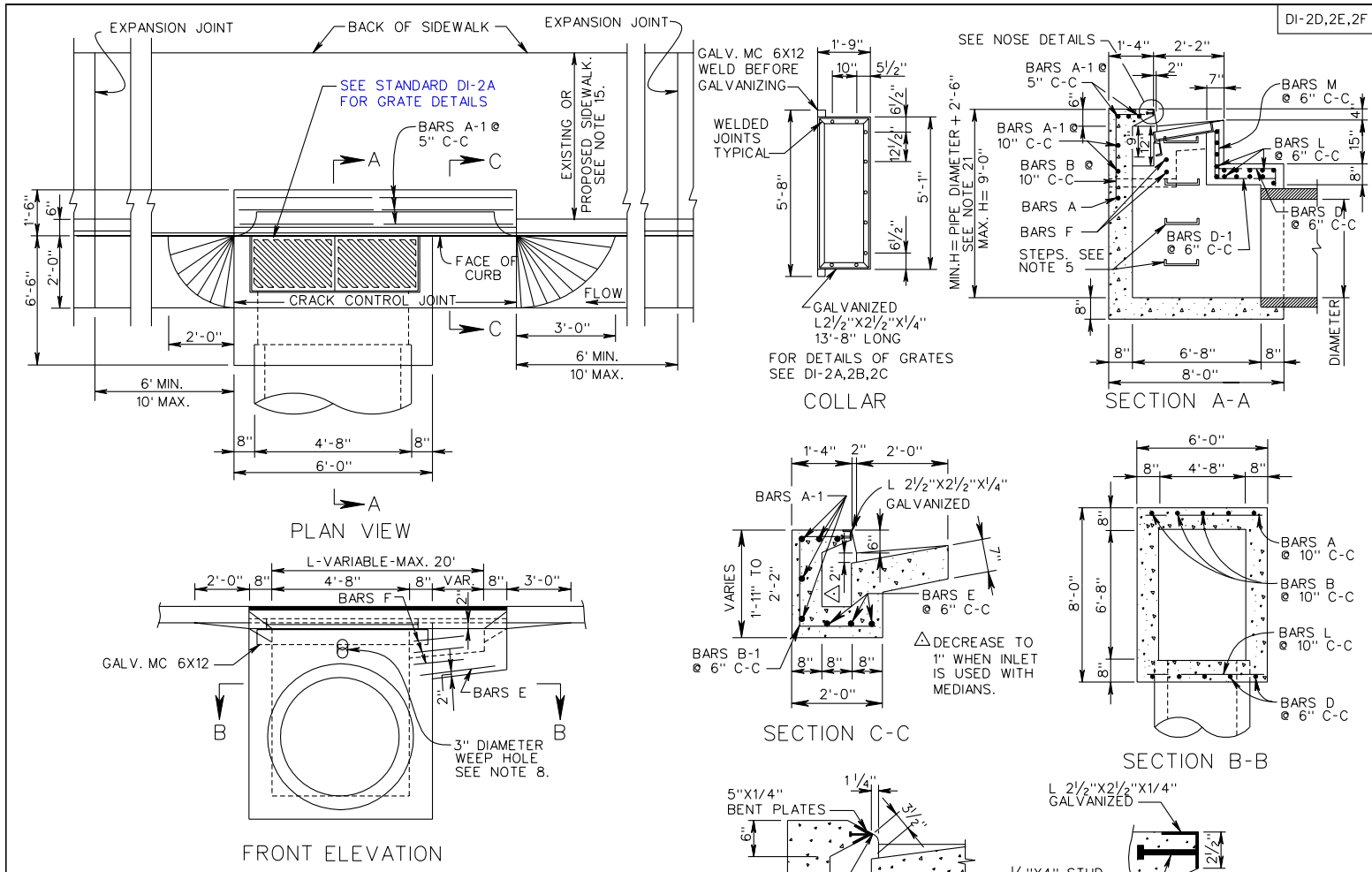


REVISED ON 1/04 REVISED ON 7/05



SPECIFICATION REFERENCE
 233
 302

STANDARD CURB DROP INLET
 30" - 48" PIPE: MAXIMUM DEPTH (H) = 9'
 VIRGINIA DEPARTMENT OF TRANSPORTATION

DI-2D, 2E, 2F

SEE NOSE DETAILS

SEE NOTE 21

MIN. H = PIPE DIAMETER + 2'-6"
 MAX. H = 9'-0"

FOR DETAILS OF GRATES SEE DI-2A, 2B, 2C

SECTION A-A

SECTION B-B

SECTION C-C

TYPE A

TYPE B

NOSE DETAILS

TYPE A NOSE DETAIL SHALL BE USED WITH CG-7 STANDARD.
 TYPE B NOSE DETAIL SHALL BE USED WITH CG-6 STANDARD.
 GALVANIZED PLATE FOR TYPE A TO BE BENT ON AN ANGLE OF 54° AND IS TO BE ANCHORED WITH 1/2"X4" STUD SHEAR CONNECTORS WELDED TO BENT PLATE AT 2' C-C.

SHEET 1 OF 2

104.06