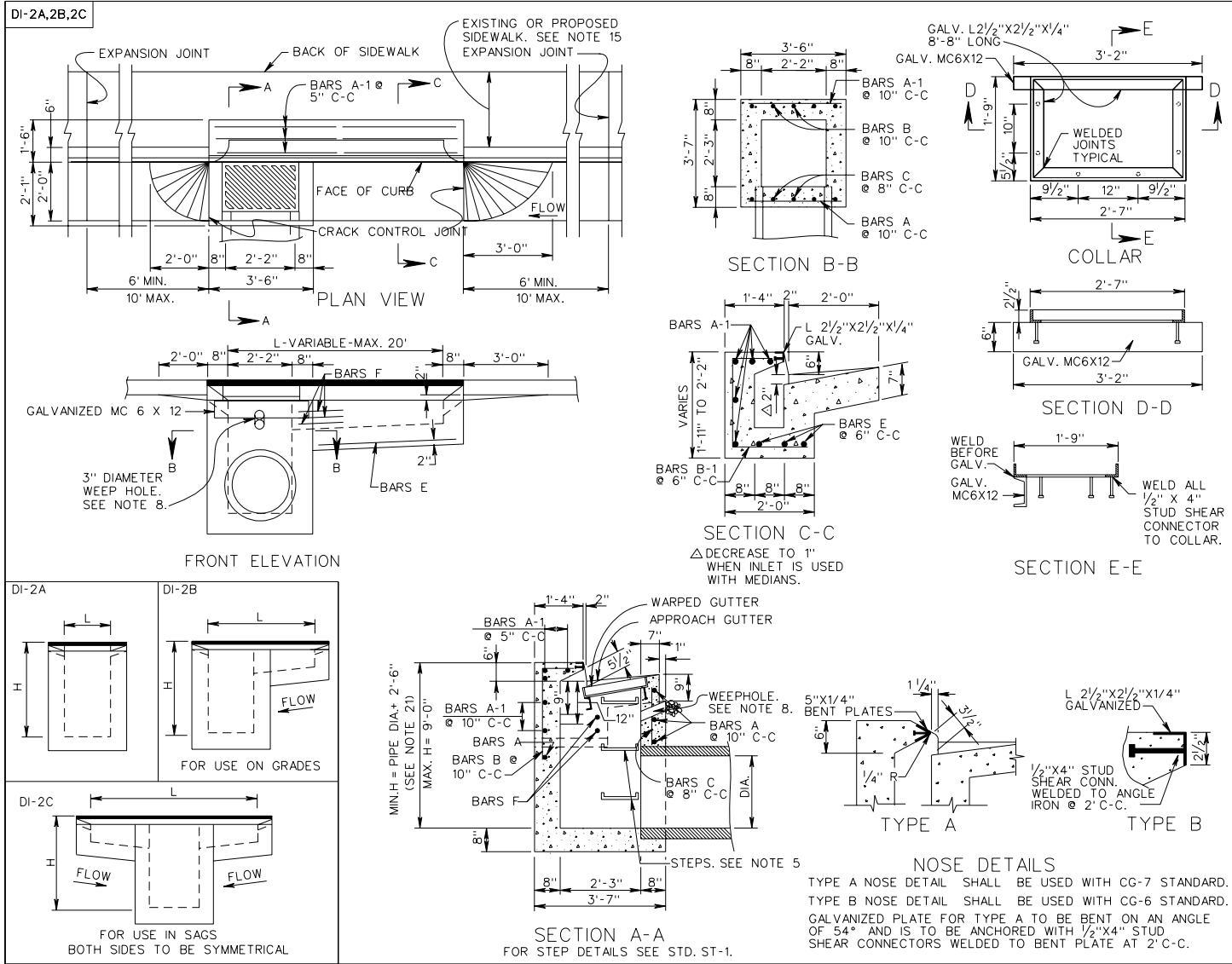


REVISED ON 1/04      REVISED ON 7/05



SHEET 1 OF 2

STANDARD CURB DROP INLET  
12" - 24" PIPE: MAXIMUM DEPTH (H) = 9'

VIRGINIA DEPARTMENT OF TRANSPORTATION

SPECIFICATION REFERENCE

233  
302

104.03