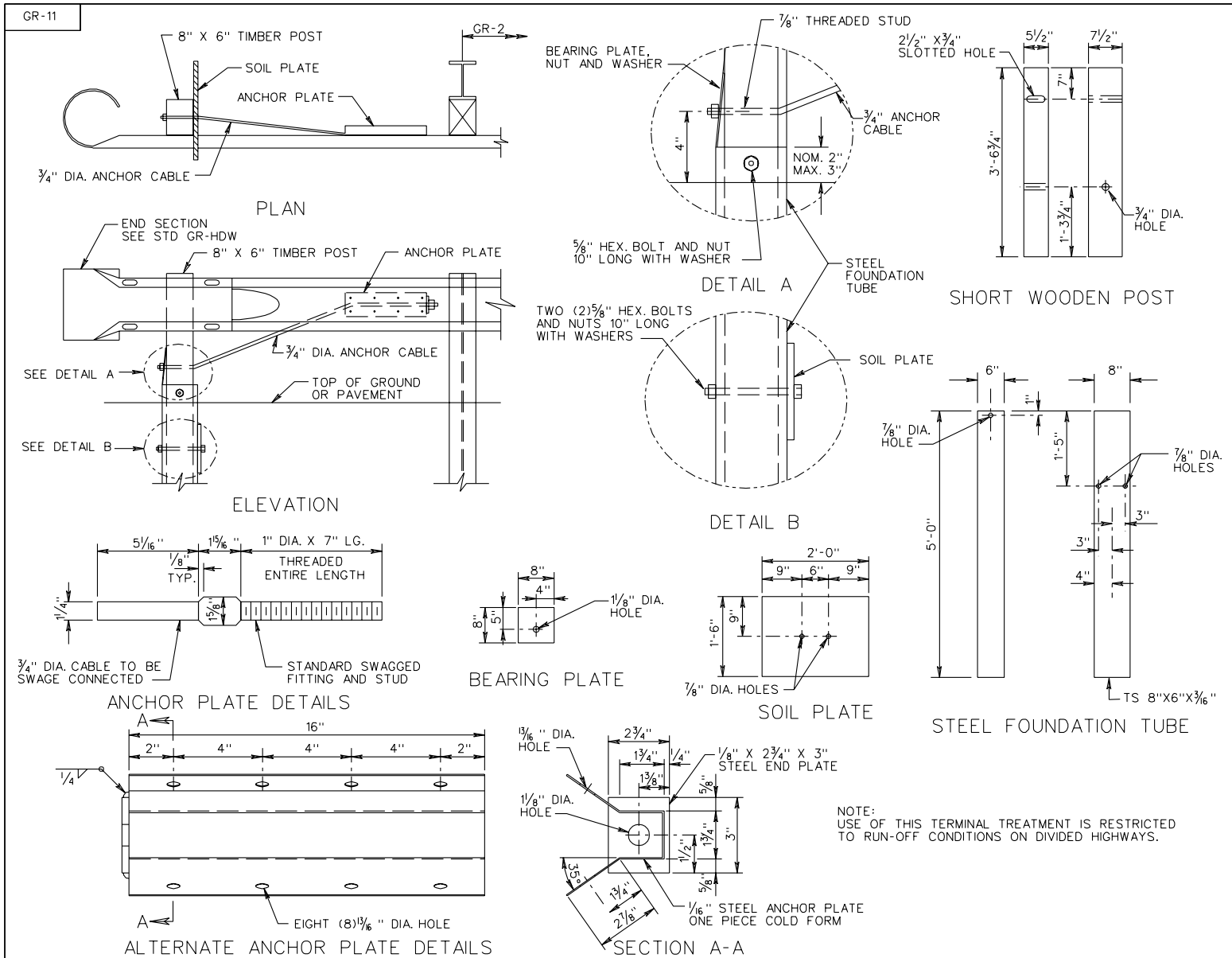


REVISED ON 3/03 REVISED ON 7/03 REVISED ON 7/05



# TRAILING END TERMINAL TREATMENT

NEW 7/02

501.21

VIRGINIA DEPARTMENT OF TRANSPORTATION

SPECIFICATION REFERENCE

505

221