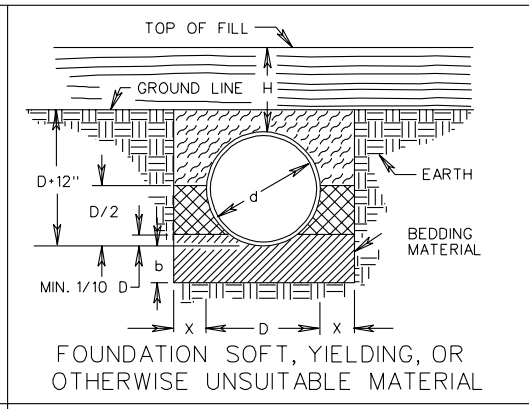
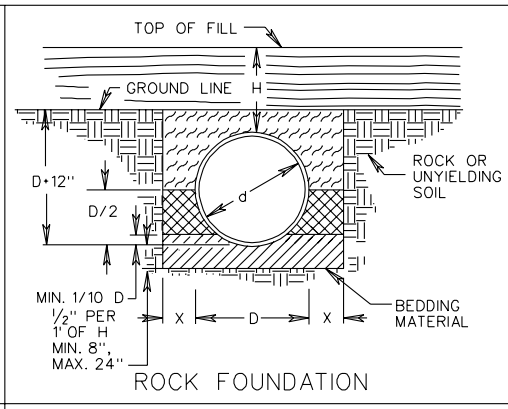
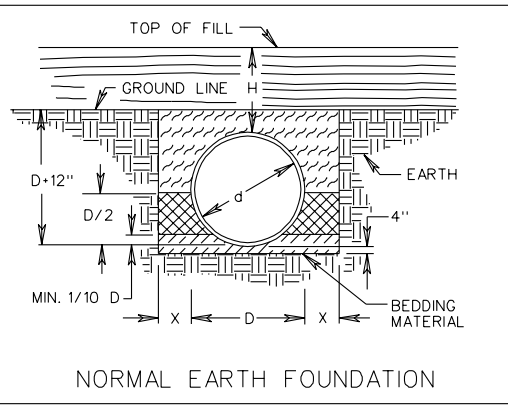
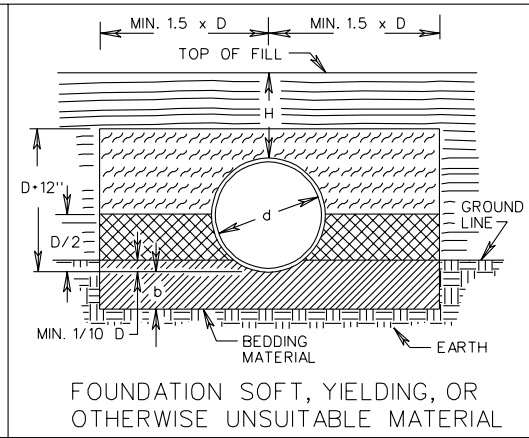
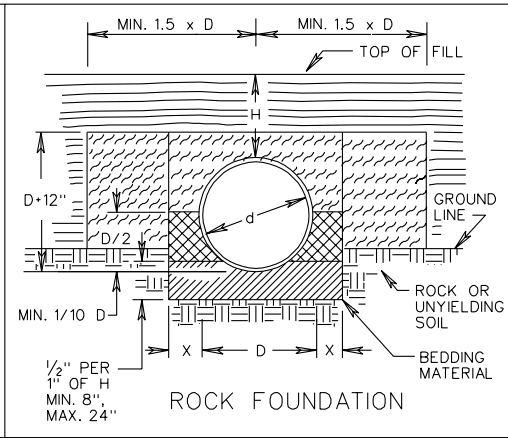
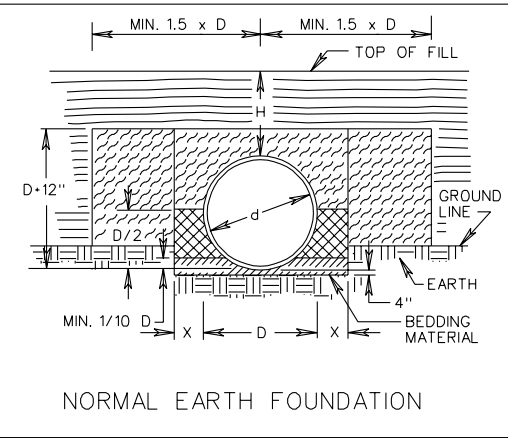

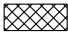


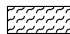
NO PROJECTION OF PIPE ABOVE GROUND LINE




PIPE PROJECTION ABOVE GROUND LINE



-  BEDDING MATERIAL IN ACCORDANCE WITH SECTION 302 OF THE ROAD AND BRIDGE SPECIFICATIONS.
-  CLASS I BACKFILL MATERIAL IN ACCORDANCE WITH SECTION 302 OF THE ROAD AND BRIDGE SPECIFICATIONS.

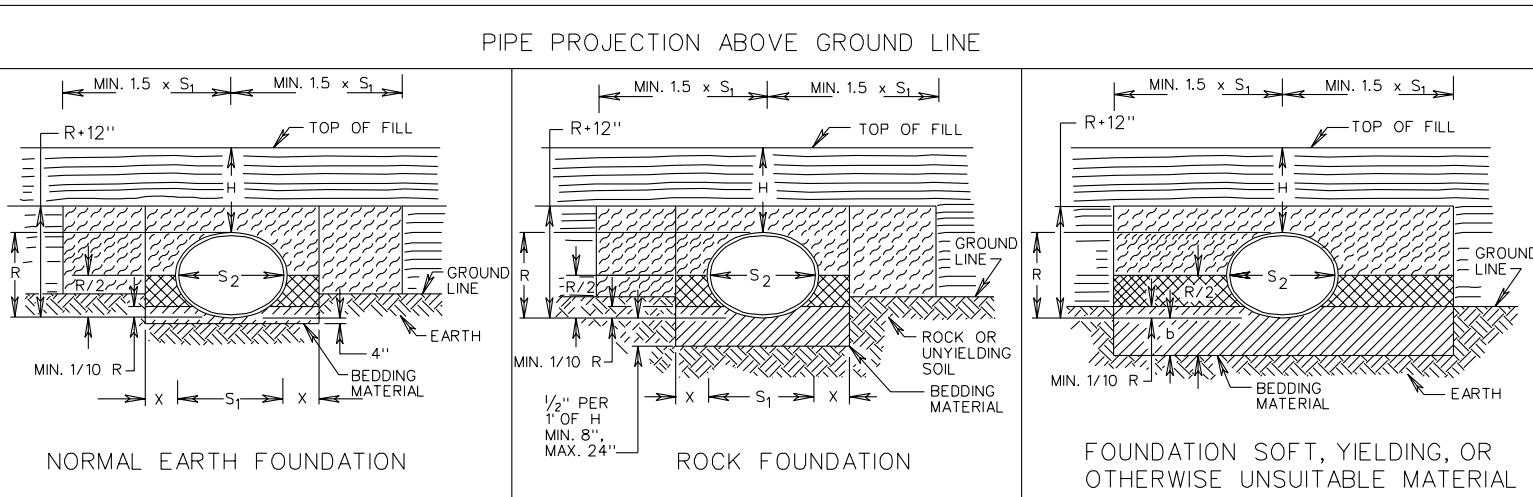
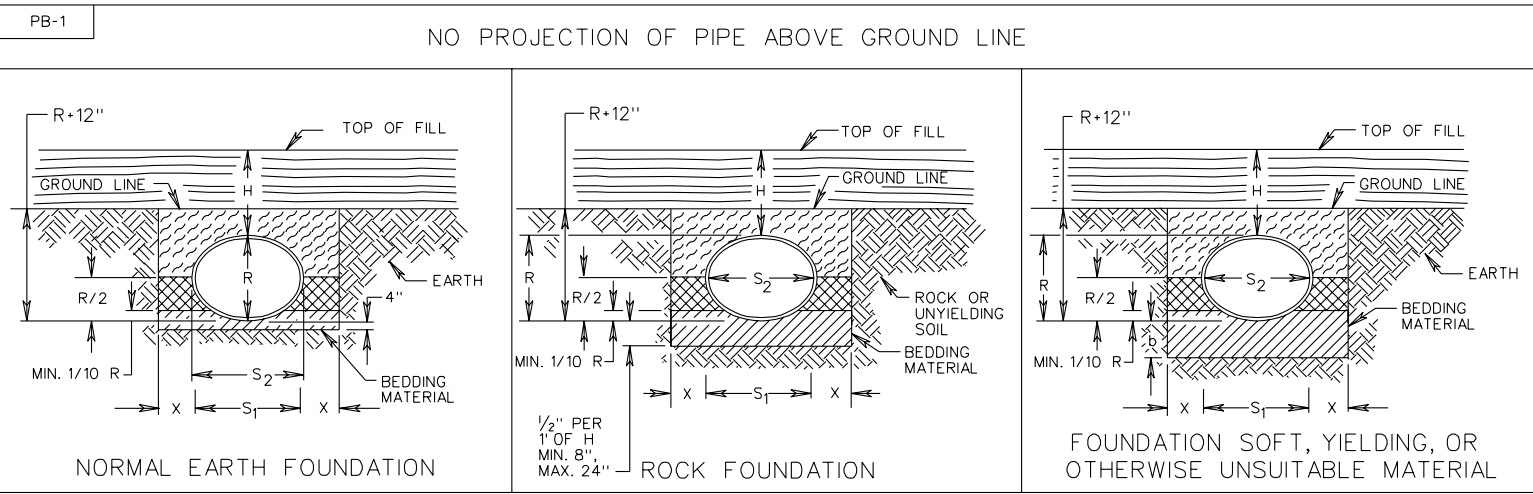
-  REGULAR BACKFILL MATERIAL IN ACCORDANCE WITH SECTION 302 OF THE ROAD AND BRIDGE SPECIFICATIONS.

-  EMBANKMENT

NOTE: FOR PLASTIC PIPE, THE LIMITS OF THE CLASS I BACKFILL MATERIAL SHALL BE EXTENDED TO 12" ABOVE THE TOP OF THE PIPE.

SPECIFICATION REFERENCE	302 303
-------------------------	------------

INSTALLATION OF PIPE CULVERTS AND STORM SEWERS  
CIRCULAR PIPE BEDDING AND BACKFILL - METHOD "A"

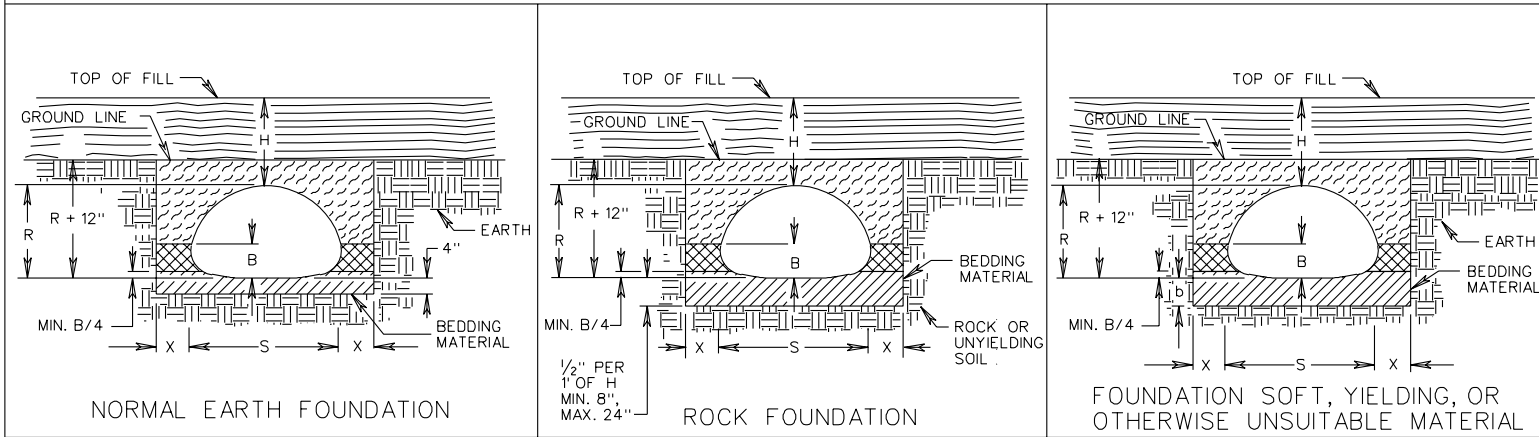


- |  |   |  |   |
|--|---|--|---|
|  | BEDDING MATERIAL IN ACCORDANCE WITH SECTION 302 OF THE ROAD AND BRIDGE SPECIFICATIONS.          |  | REGULAR BACKFILL MATERIAL IN ACCORDANCE WITH SECTION 302 OF THE ROAD AND BRIDGE SPECIFICATIONS. |
|  | CLASS I BACKFILL MATERIAL IN ACCORDANCE WITH SECTION 302 OF THE ROAD AND BRIDGE SPECIFICATIONS. |  | EMBANKMENT  |

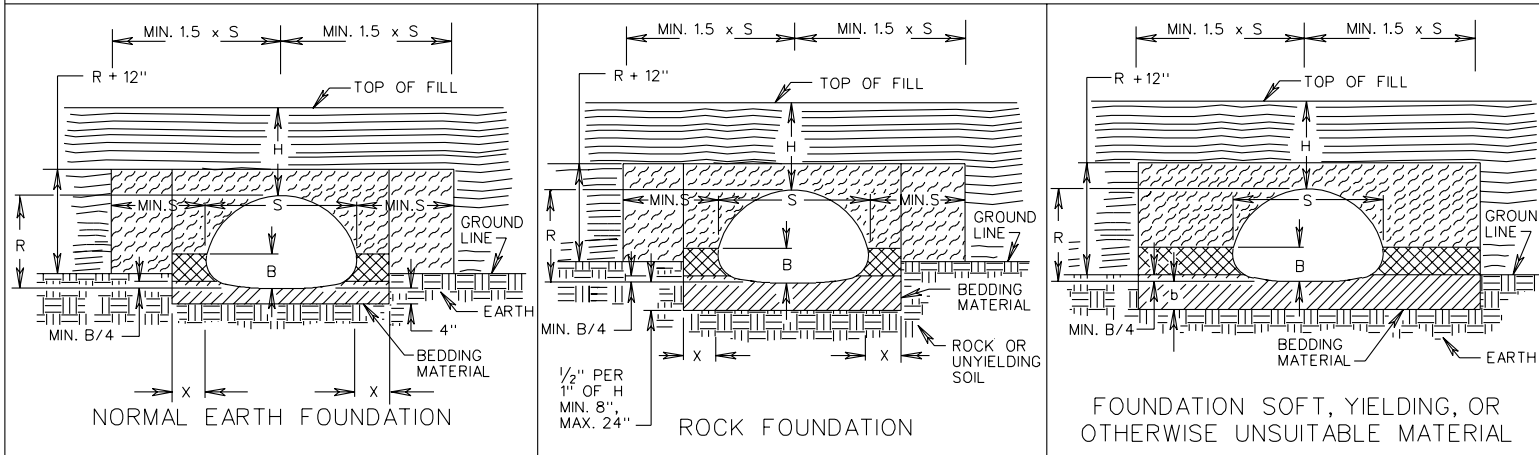
SHEET 2 OF 4

REV. 1 / 04 107.02	<h2 style="margin: 0;">INSTALLATION OF PIPE CULVERTS AND STORM SEWERS</h2> <h3 style="margin: 0;">ELLIPTICAL PIPE BEDDING AND BACKFILL - METHOD "A"</h3> <p style="margin: 0;">VIRGINIA DEPARTMENT OF TRANSPORTATION</p>	SPECIFICATION REFERENCE 302 303
-----------------------	--	---------------------------------------

NO PROJECTION OF PIPE ARCH ABOVE GROUND LINE



PIPE ARCH PROJECTION ABOVE GROUND LINE



-  BEDDING MATERIAL IN ACCORDANCE WITH SECTION 302 OF THE ROAD AND BRIDGE SPECIFICATIONS.
-  REGULAR BACKFILL MATERIAL IN ACCORDANCE WITH SECTION 302 OF THE ROAD AND BRIDGE SPECIFICATIONS.
-  CLASS I BACKFILL MATERIAL IN ACCORDANCE WITH SECTION 302 OF THE ROAD AND BRIDGE SPECIFICATIONS.
-  EMBANKMENT

<p>SPECIFICATION REFERENCE</p> <p>302</p> <p>303</p>	<p>INSTALLATION OF PIPE CULVERTS AND STORM SEWERS</p> <p>PIPE ARCH BEDDING AND BACKFILL</p> <p>VIRGINIA DEPARTMENT OF TRANSPORTATION</p>	<p>REV. 1/04</p> <p>107.03</p>
--	--	--------------------------------