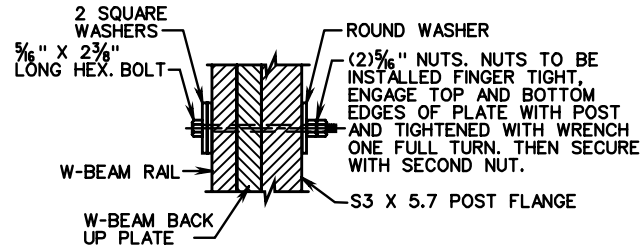


SQUARE WASHER

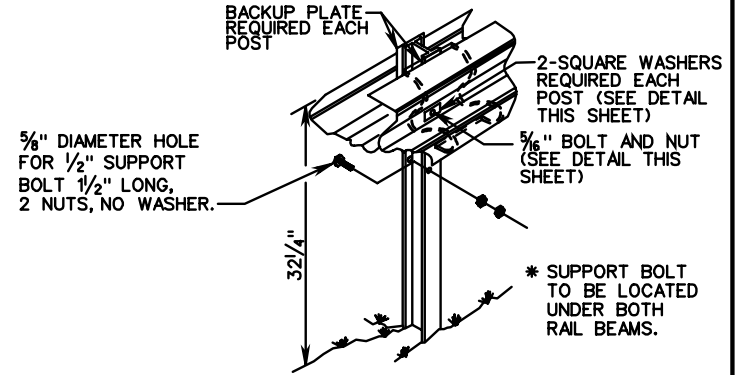
BOLT AND NUT SHALL HAVE 4000 POUNDS MIN. TENSILE STRENGTH.

5/16" HEX BOLT AND NUT

⊗ THE GUARDRAIL AND MEDIAN BARRIER COMPONENTS DEPICTED IN A.R.T.B.A. TECHNICAL BULLETIN NUMBER 268B MAY BE SUBSTITUTED IF INTERCHANGEABLE WITH THE STANDARDS FOR GUARDRAIL (GR) OR MEDIAN BARRIER (MB) AND APPROVED BY THE ENGINEER.



GUARDRAIL POST CONNECTION DETAIL



TYPICAL INSTALLATION

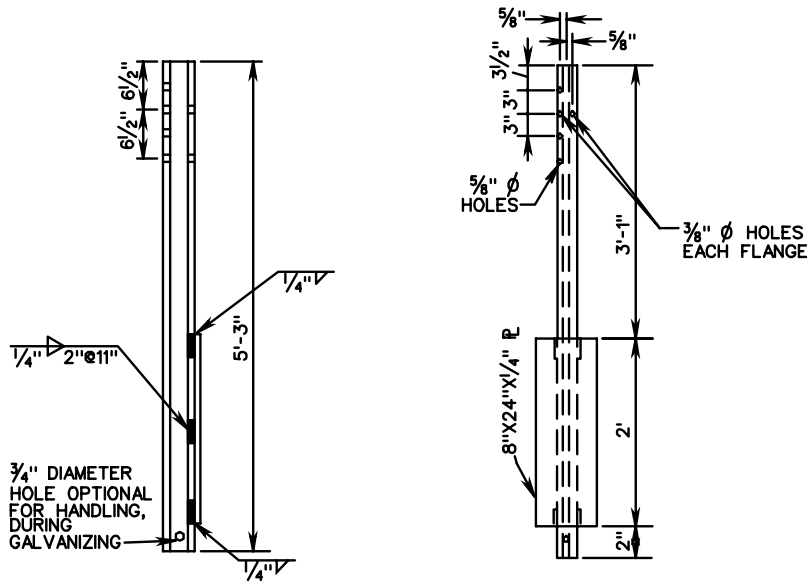
NOTES:

- STANDARD MB-5 POST SPACING IS 12'-6"
- STANDARD MB-5A POST SPACING IS 6'-3"
- STANDARD MB-5B POST SPACING IS 3'-1 1/2"
- STANDARD MB-5 DEFLECTION IS 7'-0"

ALL POSTS, BOLTS, NUTS AND WASHERS ARE TO BE GALVANIZED.

FOR DETAILS OF GUARDRAIL ELEMENT, HARDWARE, ETC. SEE SHEET NO. 501.01.

FOR DETAILS OF GUARDRAIL SPLICE JOINT, SEE STD. GR-8 DEPICTING AN NCHRP 350 TL-3 INSTALLATION.



FOR ROCK INSTALLATION, 8" X 26" X 1/4" PLATE IS TO BE ELIMINATED. DRILL OR EXCAVATE HOLE FOR POST, PLACE AND BACKFILL WITH CRUSHER RUN AGGREGATE TO LEVEL OF ROCK.

S3X5.7 STEEL POST

SPECIFICATION REFERENCE

221  
505

STANDARD W BEAM MEDIAN BARRIER (WEAK POST SYSTEM)  
TL-3 (>45 MPH)

VIRGINIA DEPARTMENT OF TRANSPORTATION