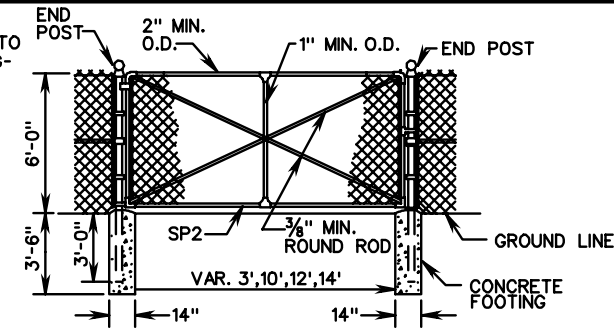
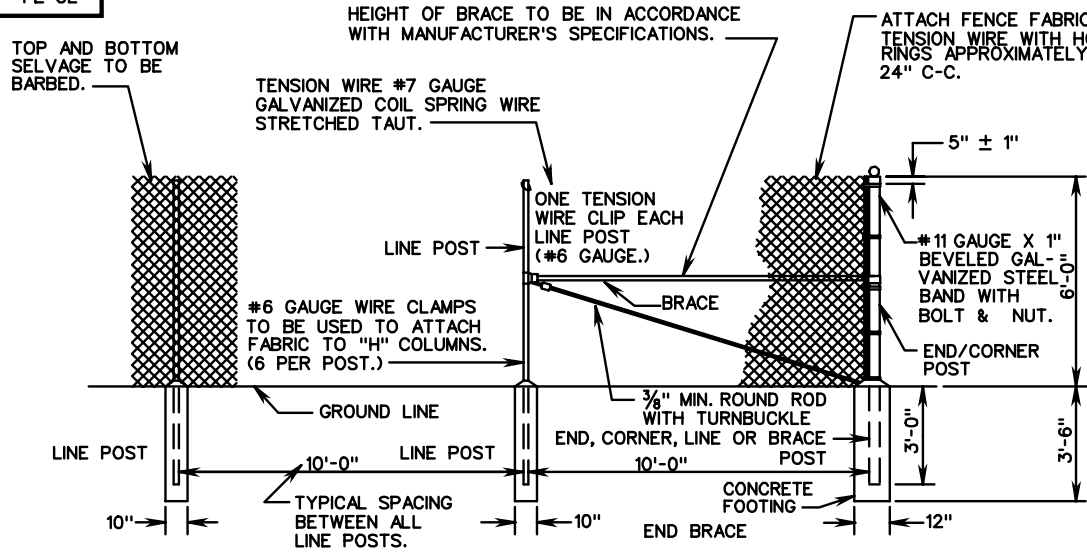
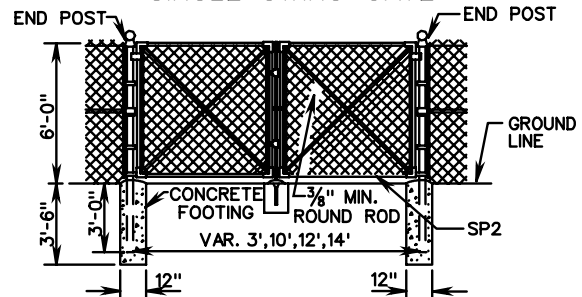


FE-CL



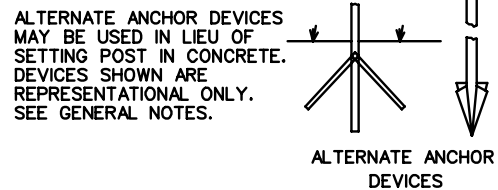
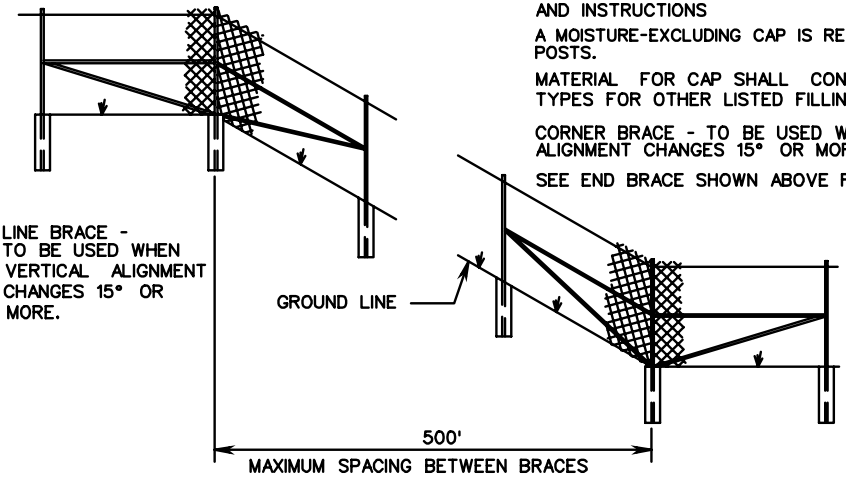
SINGLE SWING GATE



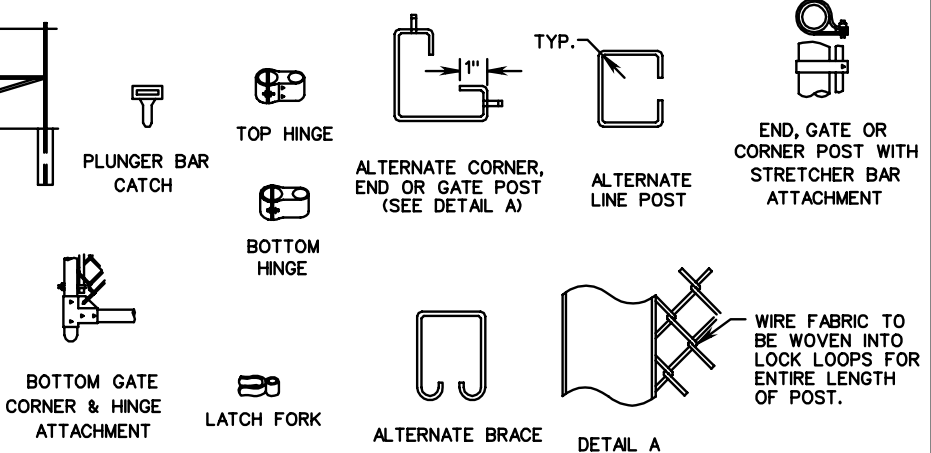
DOUBLE SWING GATE

(TO BE USED WHERE SWINGING CLEARANCE IS LIMITED)

NOTES:
 SEE GENERAL NOTES-FENCING FOR ADDITIONAL DETAILS AND INSTRUCTIONS
 A MOISTURE-EXCLUDING CAP IS REQUIRED ON TUBULAR POSTS.
 MATERIAL FOR CAP SHALL CONFORM TO THE ALLOWABLE TYPES FOR OTHER LISTED FILLINGS.
 CORNER BRACE - TO BE USED WHEN HORIZONTAL ALIGNMENT CHANGES 15° OR MORE.
 SEE END BRACE SHOWN ABOVE FOR BRACE DETAILS.



FITTINGS SHOWN ARE SUGGESTED ONLY. SIMILAR DESIGNS MEETING THE APPROVAL OF THE ENGINEER MAY BE USED.



STANDARD FENCE CHAIN LINK

VIRGINIA DEPARTMENT OF TRANSPORTATION

SPECIFICATION REFERENCE

242
507

REV. 7/04
502.04