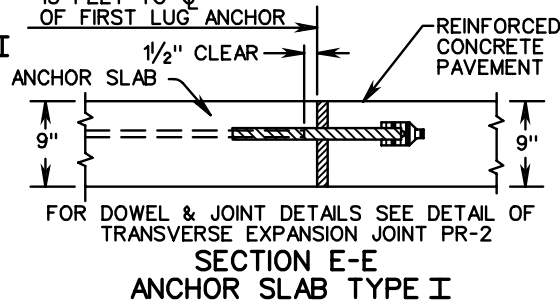
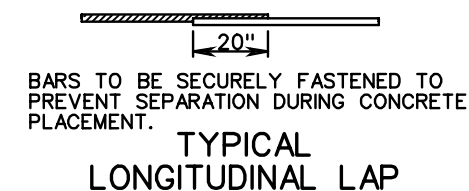
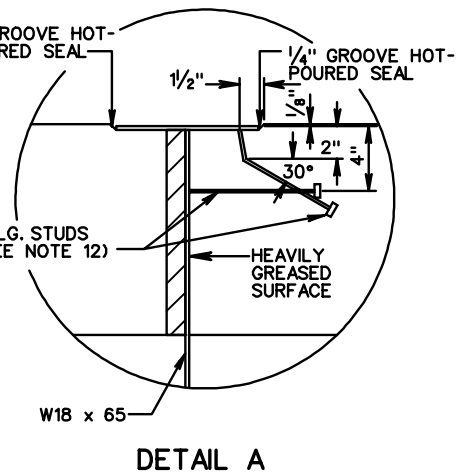
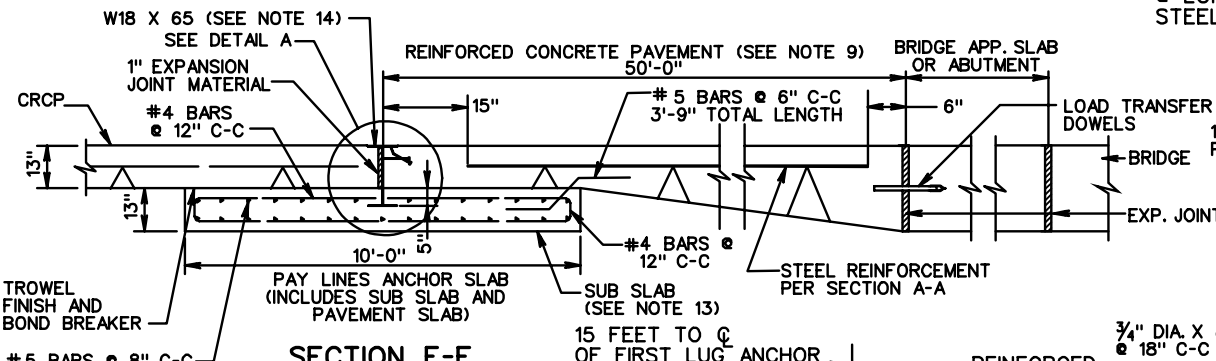
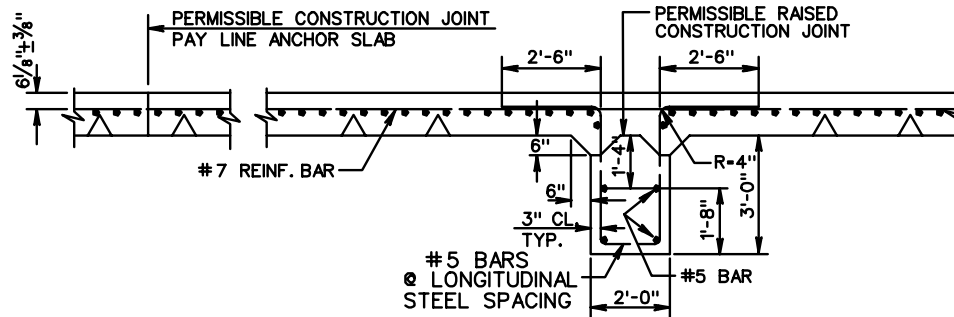
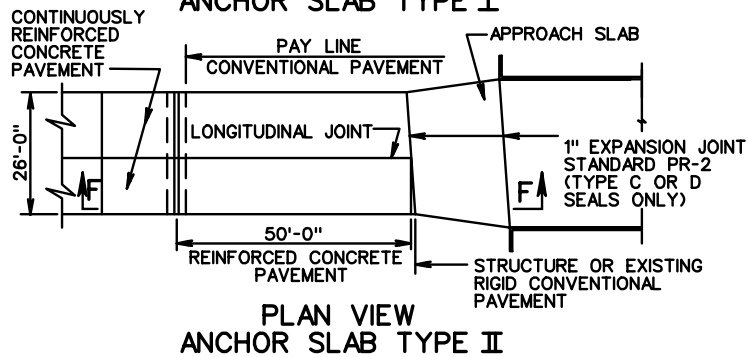
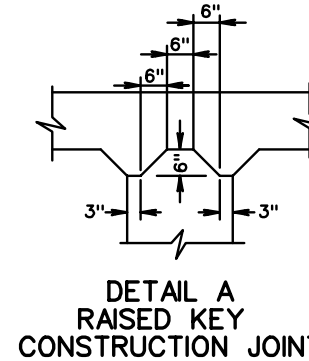
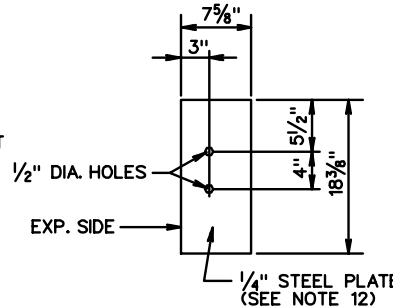
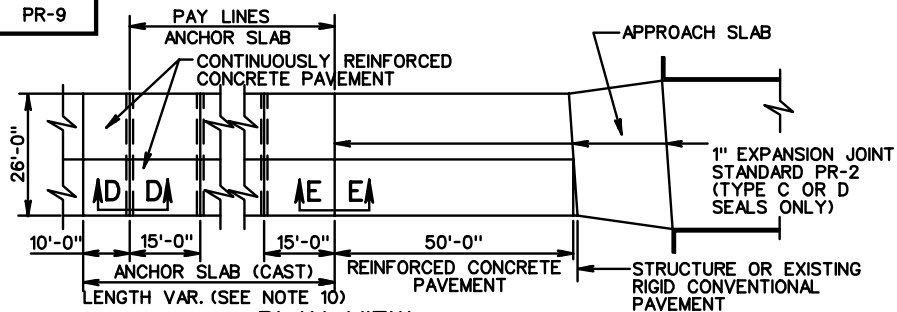


PR-9



SHEET 2 OF 3

SEE SHEET 3 OF 3 FOR NOTES

13" THICK CONTINUOUSLY REINFORCED CONCRETE PAVEMENT 14' TRAVEL LANE

REV. 1/04
301.26

VIRGINIA DEPARTMENT OF TRANSPORTATION

SPECIFICATION
REFERENCE

316