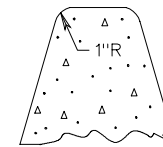
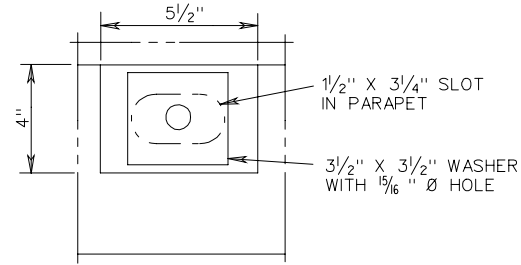
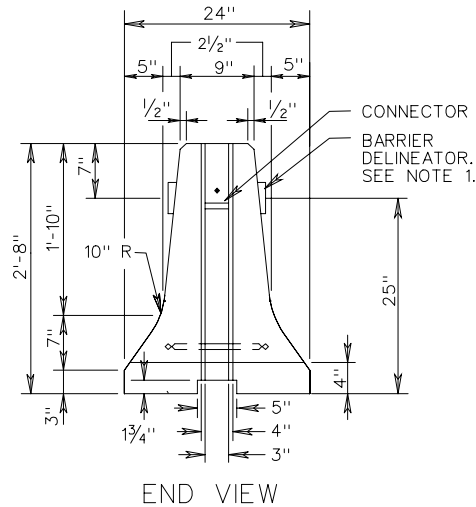
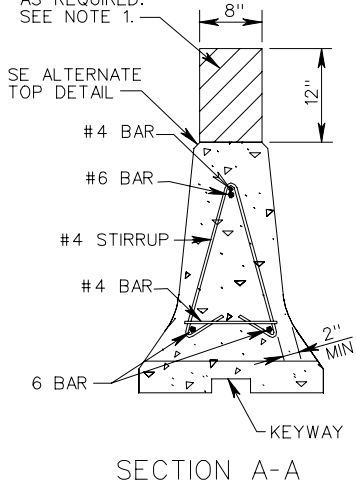


3 1/2" X 3 1/2" X 1/2" SQUARE WASHER. SEE DETAIL B, SHEET 2 OF 2.

8" X 12" BARRIER VERTICAL PANELS AS REQUIRED. SEE NOTE 1.

SEE ALTERNATE TOP DETAIL



TRAFFIC BARRIER SERVICE CONCRETE PARAPET (DOUBLE FACE)
(FOR TEMPORARY INSTALLATION ON BRIDGE DECK EXTERIOR)