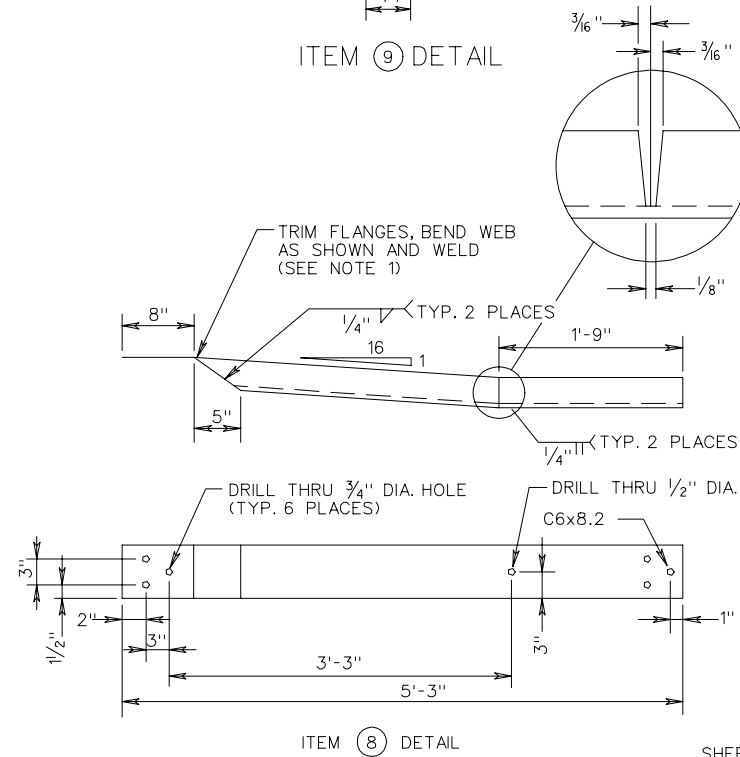
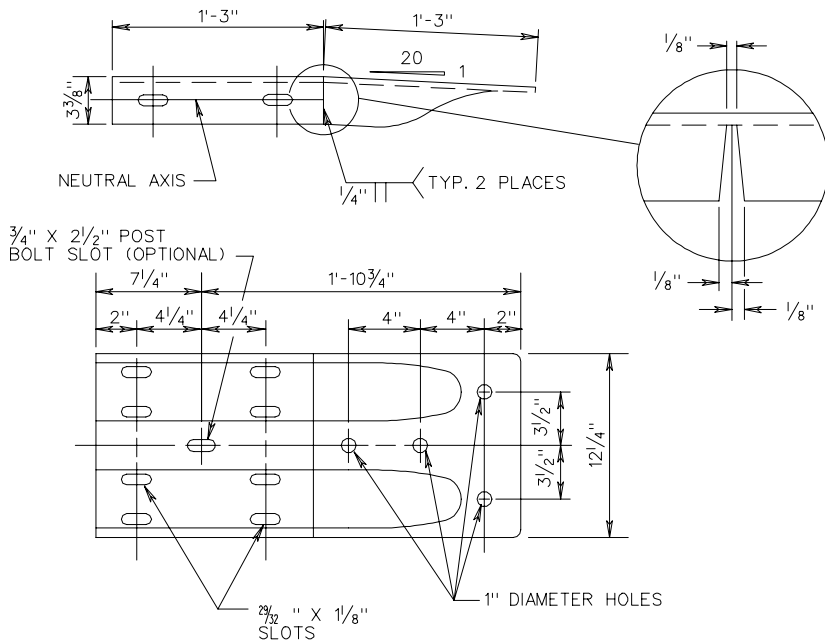
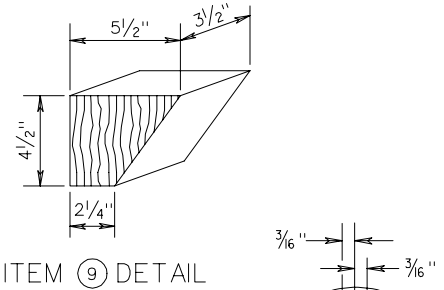


NOTES:

1. CAN BE FIELD CUT AND BENT USING HEAT. IF SHOP CUT AND BENT, RIGHT HAND OR LEFT HAND MUST BE SPECIFIED, DEPENDING ON WHICH SIDE OF THE ROADWAY THE TRANSITION IS USED.



SPECIFICATION REFERENCE	BLOCKED-OUT W-BEAM MEDIAN BARRIER-FIXED OBJECT ATTACHMENT	
505	RUBRAIL AND HARDWARE DETAILS	
VIRGINIA DEPARTMENT OF TRANSPORTATION		
		501.32