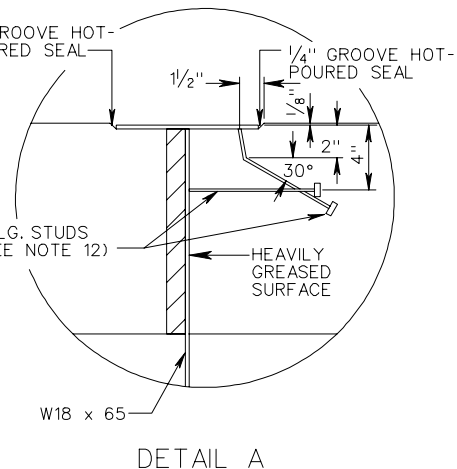
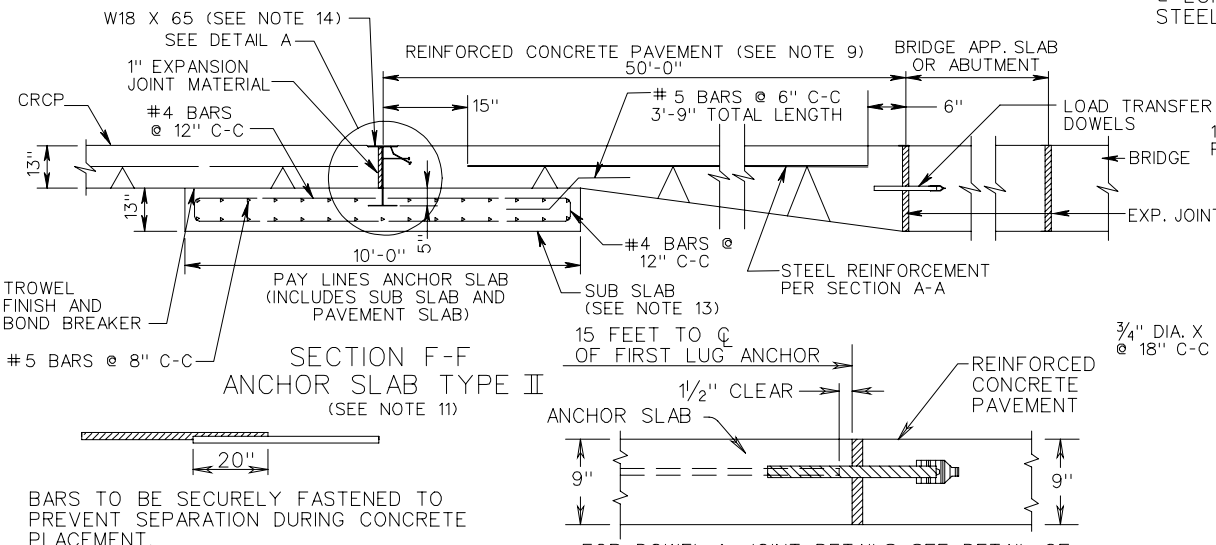
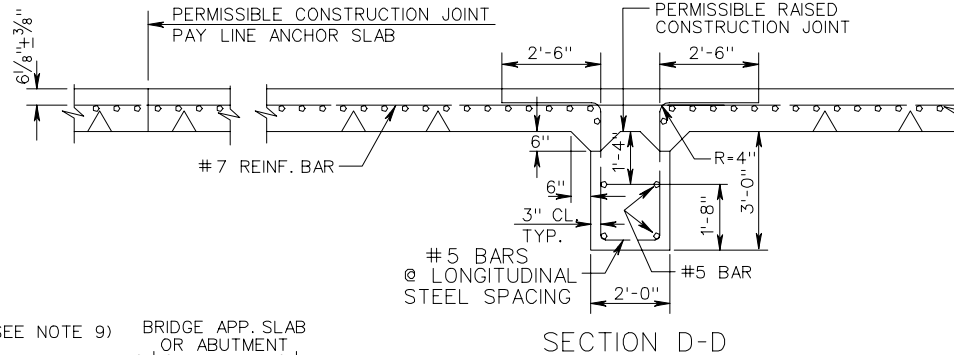
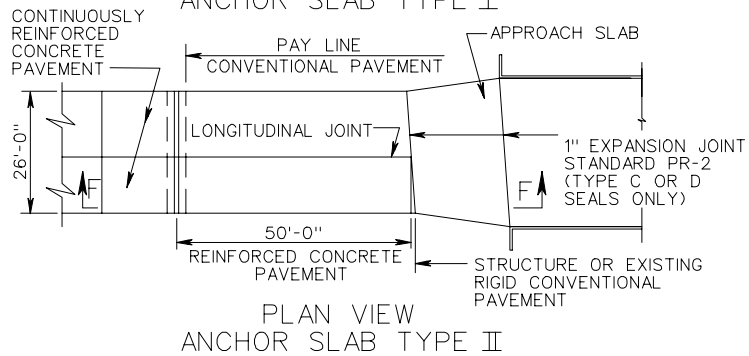
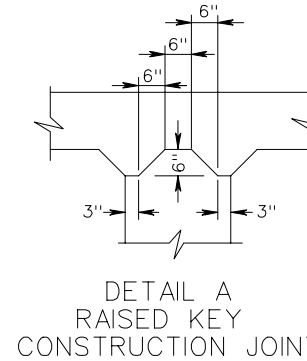
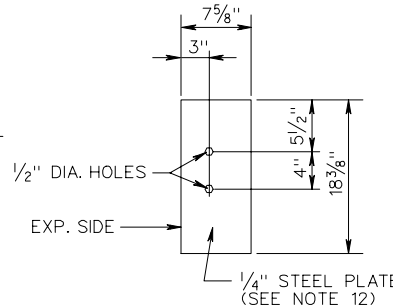
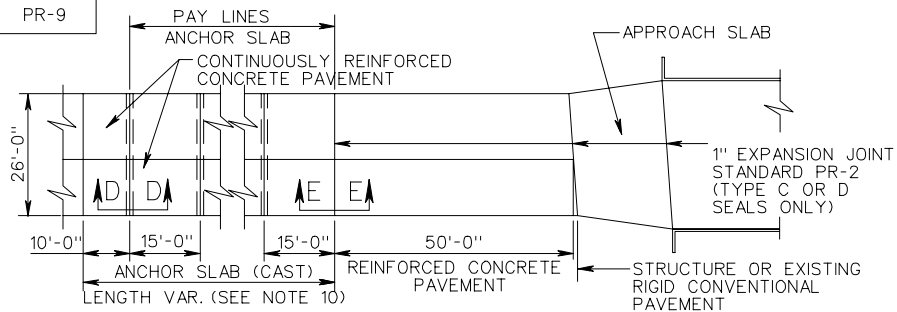


PR-9



TYPICAL
LONGITUDINAL LAP

Labels: 20".

SECTION E-E
ANCHOR SLAB TYPE I

Labels: FOR DOWEL & JOINT DETAILS SEE DETAIL OF TRANSVERSE EXPANSION JOINT PR-2.

SHEET 2 OF 3

SEE SHEET 3 OF 3 FOR NOTES

13" THICK CONTINUOUSLY REINFORCED CONCRETE PAVEMENT
14' TRAVEL LANE

SPECIFICATION
REFERENCE

316

REV. 1/04

VIRGINIA DEPARTMENT OF TRANSPORTATION

301.26