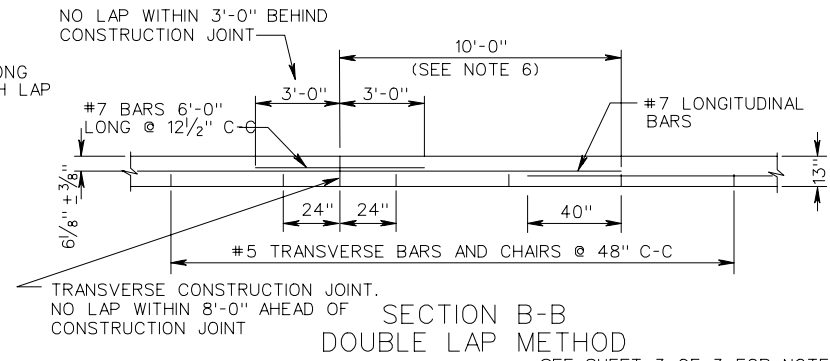
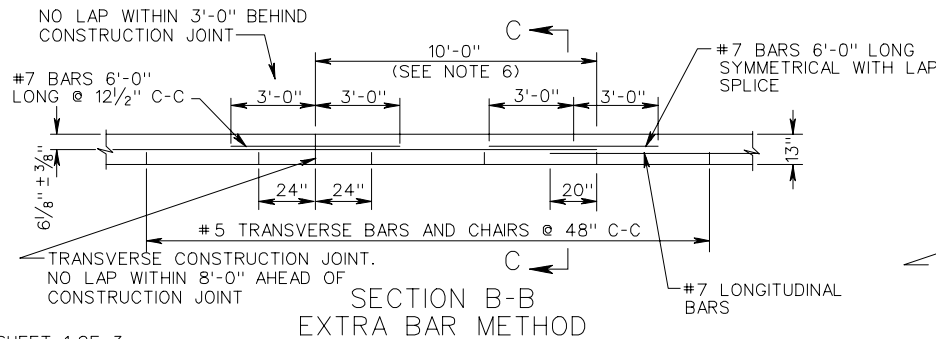
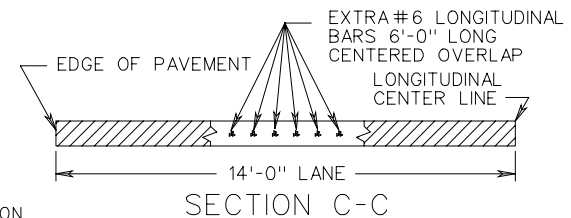
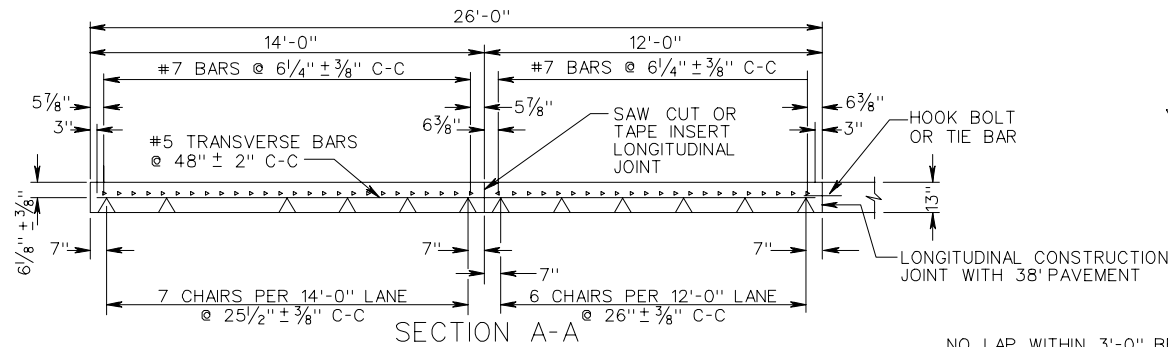


PLAN VIEW CONTINUOUSLY REINFORCED CONCRETE PAVEMENT



SHEET 1 OF 3

SPECIFICATION REFERENCE
316

13" THICK CONTINUOUSLY REINFORCED CONCRETE PAVEMENT-14' TRAVEL LANE

VIRGINIA DEPARTMENT OF TRANSPORTATION

SEE SHEET 3 OF 3 FOR NOTES

REV. 7/03

301.25