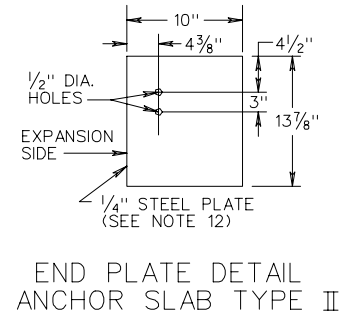
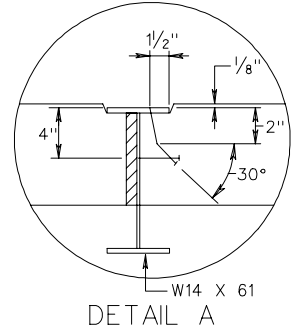
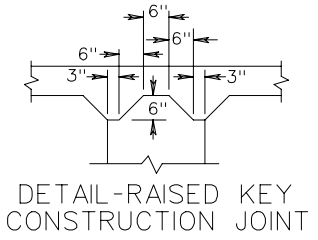
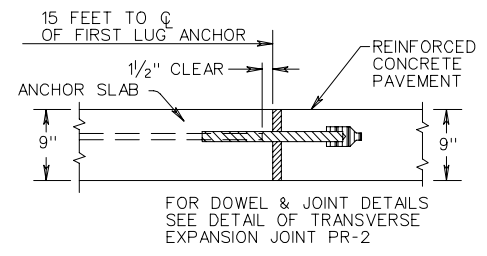


PLAN VIEW
ANCHOR SLAB TYPE I

SECTION D-D

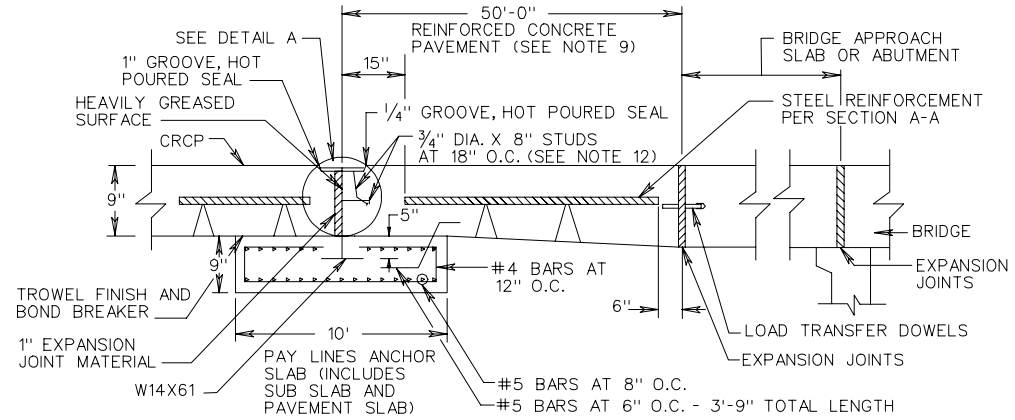
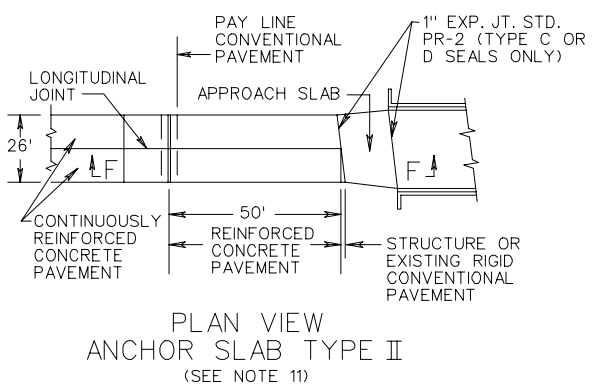


SECTION E-E
ANCHOR SLAB TYPE I

DETAIL-RAISED KEY
CONSTRUCTION JOINT

DETAIL A

END PLATE DETAIL
ANCHOR SLAB TYPE II



PLAN VIEW
ANCHOR SLAB TYPE II
(SEE NOTE 11)

SECTION F-F
ANCHOR SLAB TYPE II

9" THICK CONTINUOUSLY REINFORCED CONCRETE PAVEMENT
14 FOOT TRAVEL LANE

SPECIFICATION
REFERENCE

316