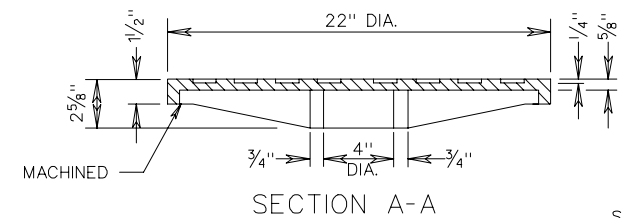
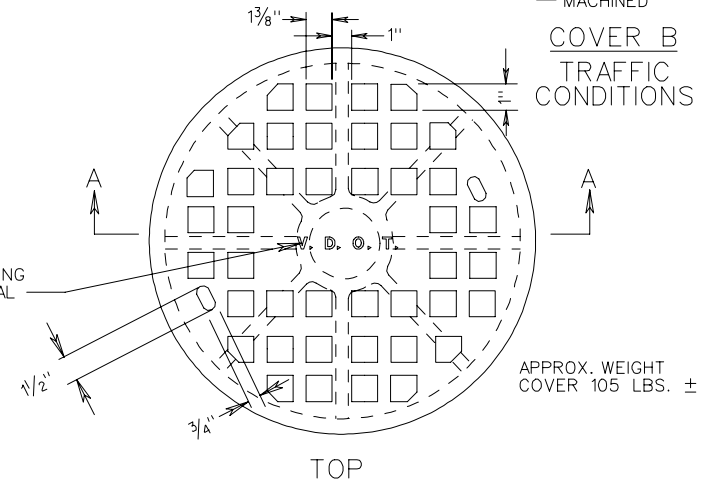
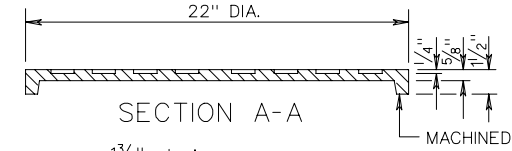
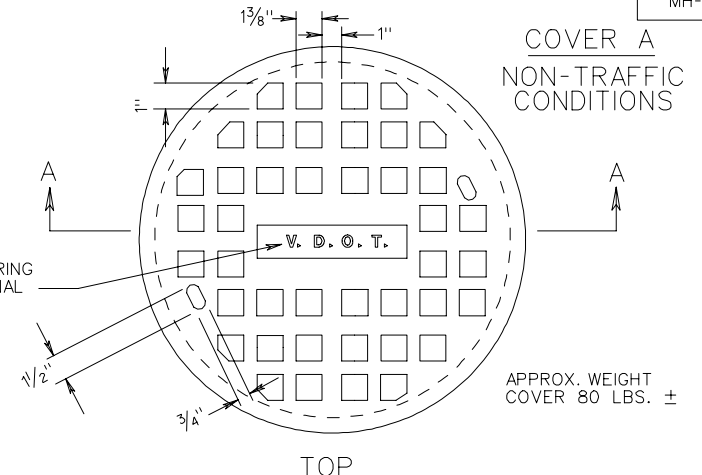


EITHER COVER A OR B MAY BE USED WITH FRAME.
APPROX. WEIGHT COVER 170 LBS. ±



SPECIFICATION REFERENCE

224
302

STANDARD MANHOLE FRAME AND COVER

VIRGINIA DEPARTMENT OF TRANSPORTATION

SHEET 4 OF 5

REV. 7/02

106.04