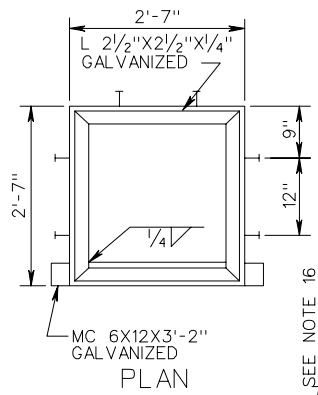
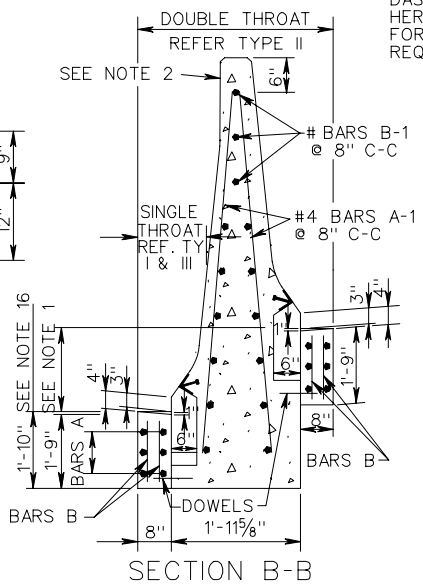


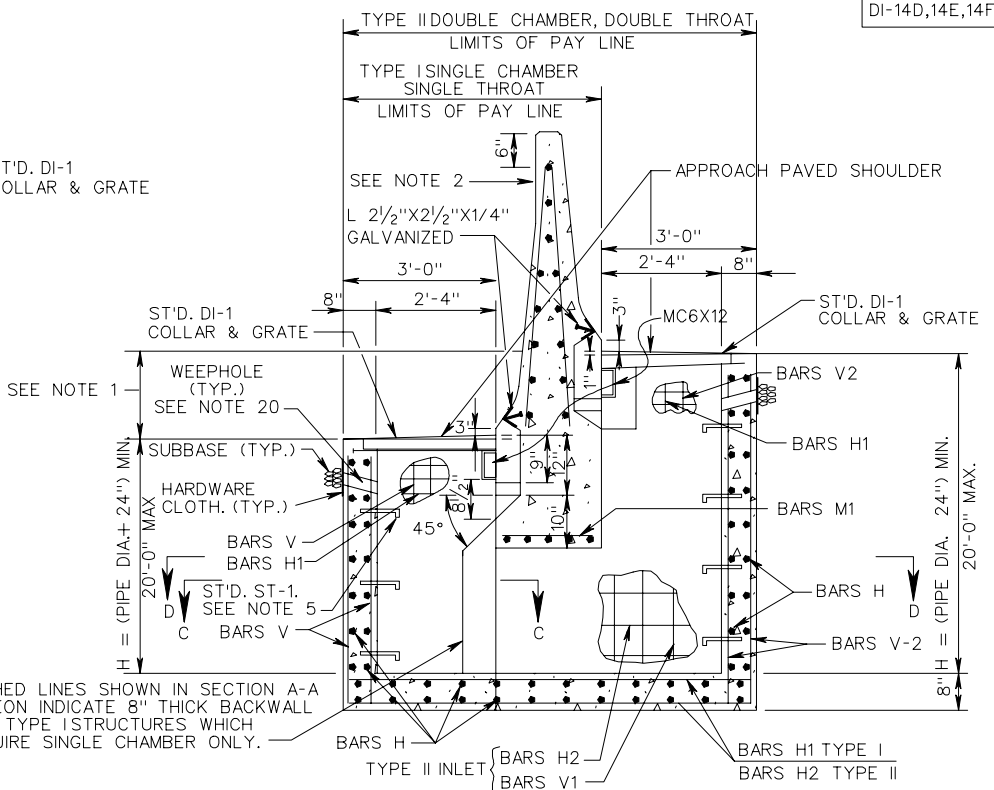
PLAN VIEW



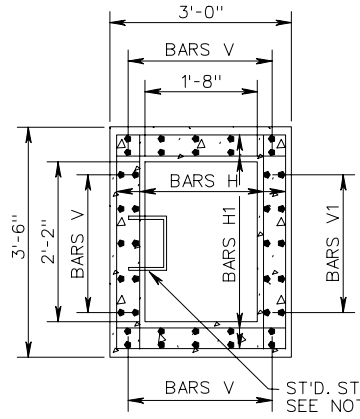
SECTION COLLAR DETAIL



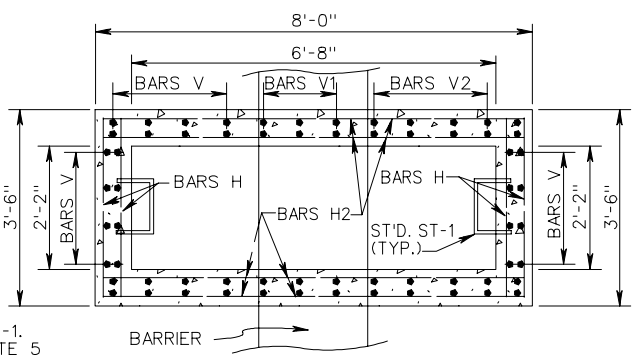
SECTION B-B



SECTION A-A



SECTION C-C
TYPE I & III



SECTION D-D
TYPE II
(NOT TO SCALE)

DASHED LINES SHOWN IN SECTION A-A HEREON INDICATE 8" THICK BACKWALL FOR TYPE I STRUCTURES WHICH REQUIRE SINGLE CHAMBER ONLY.

SEE NOTES ON SHEET 2 OF 2.

SPECIFICATION REFERENCE
233 302

CONCRETE MEDIAN BARRIER DROP INLET

12" - 24" PIPE: DEPTH (H) = 20' MAX.

VIRGINIA DEPARTMENT OF TRANSPORTATION