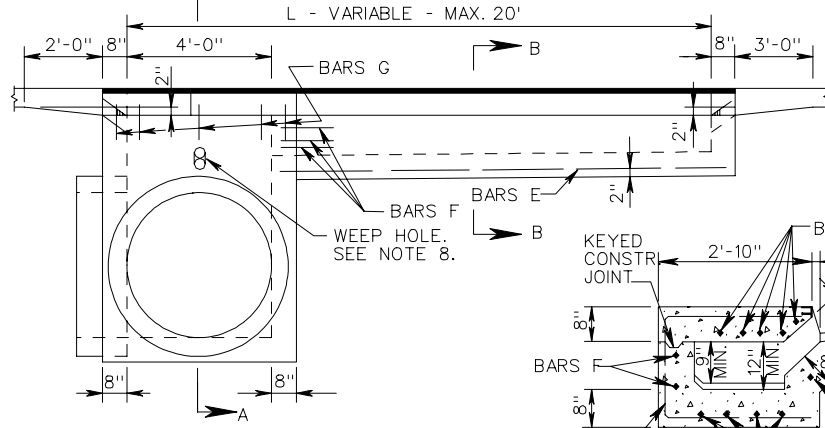
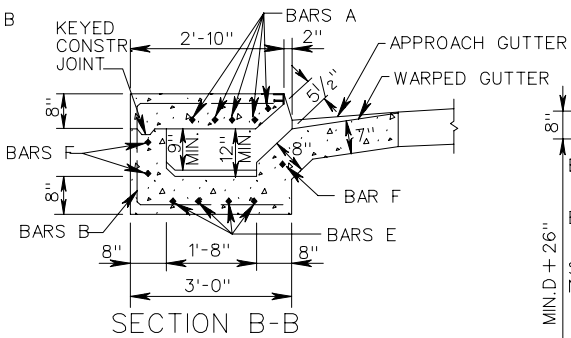


PLAN VIEW



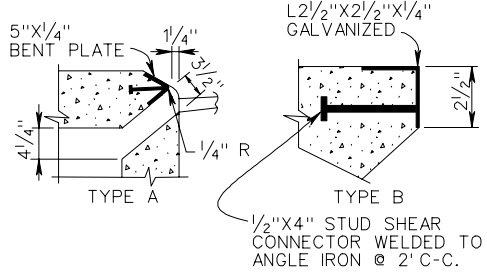
FRONT ELEVATION VIEW  
(GUTTER REMOVED)



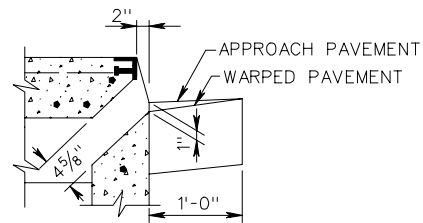
SECTION B-B

GALVANIZED PLATE TO BE BENT ON AN ANGLE OF 68° 30' AND IS TO BE ANCHORED WITH 1/2" X 4" STUD SHEAR CONNECTORS WELDED TO BENT PLATE AT 2' C-C.

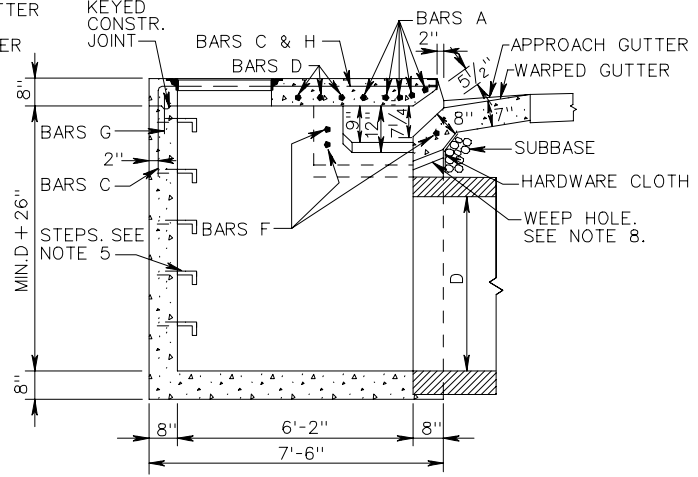
TYPE A NOSE DETAIL SHALL BE USED WITH CG-3 AND CG-7 STANDARDS. TYPE B NOSE DETAIL SHALL BE USED WITH CG-2 AND CG-6 STANDARDS.



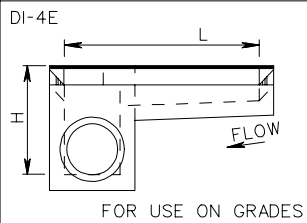
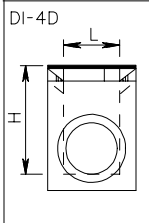
NOSE DETAILS



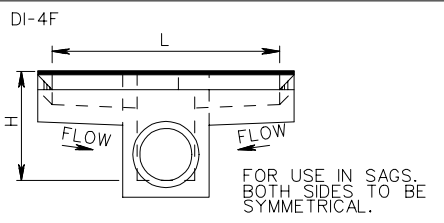
DETAIL WHEN USED  
ADJACENT TO CURB  
WITHOUT GUTTER



SECTION A-A



FOR USE ON GRADES



FOR USE IN SAGS.  
BOTH SIDES TO BE  
SYMMETRICAL.

SPECIFICATION REFERENCE	
233	
302	

STANDARD CURB DROP INLET

36" - 48" PIPE: MAXIMUM DEPTH (H) = 8' ( WITH UTILITY SPACE )

54" - 60" MAX. PIPE: MAX. (H) = 8' ( WITHOUT UTILITY SPACE )