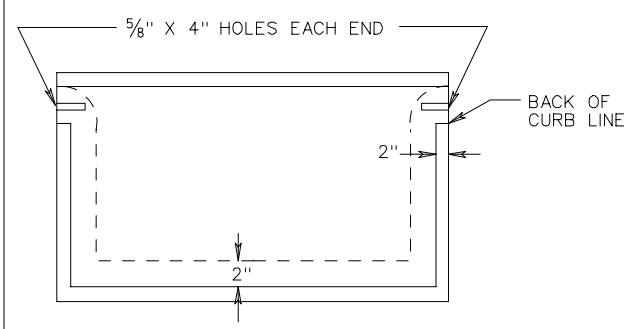
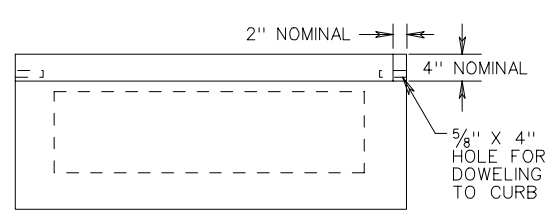


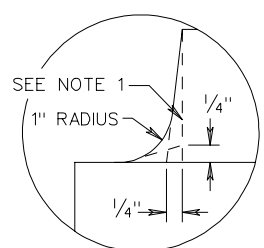
ISOMETRIC CURB DROP INLET THROAT SECTION ALTERNATE DESIGN



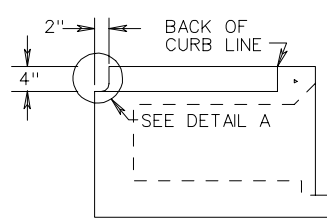
PLAN



BACK VIEW



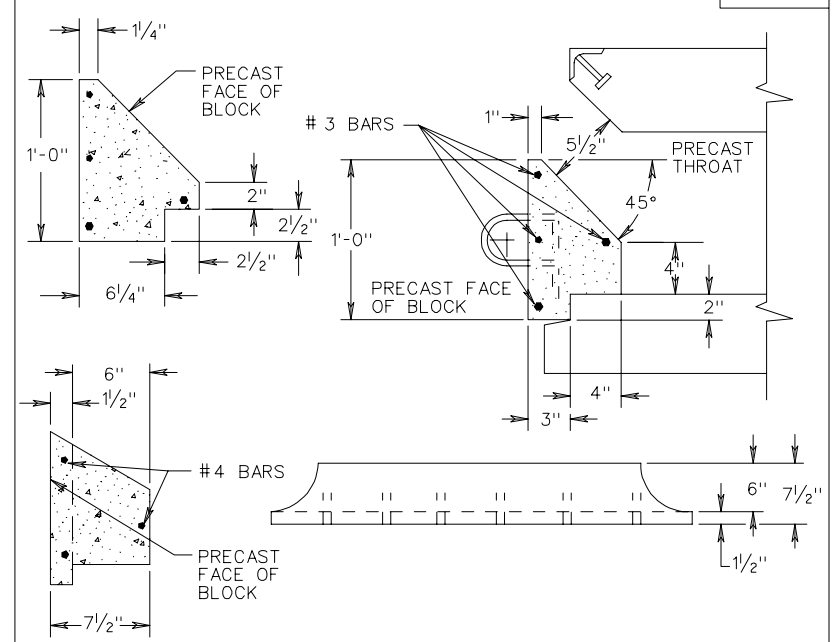
DETAIL A



END VIEW

NOTES:

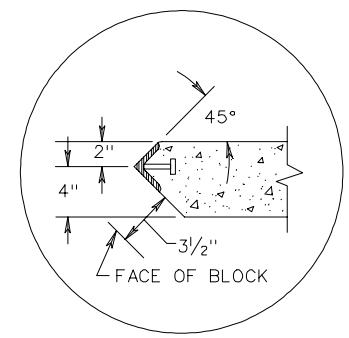
1. 2" x 4" NOTCH MAY BE FORMED WITH STRAIGHT SIDES, TAPERED SIDES OR TAPERED SIDES WITH RADIUS.
2. ALL DETAILS NOT SHOWN TO BE IN ACCORDANCE WITH SHEET 1 OF 2.



NOTE:

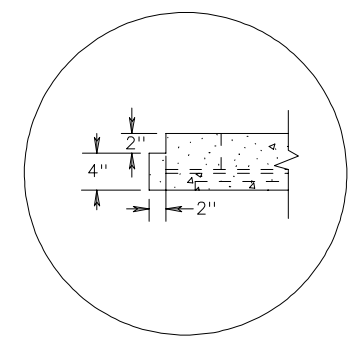
DOWEL HOLES PROVIDED TO PREVENT SETTLEMENT OF ADJACENT CONCRETE.

ALTERNATE DETAIL FOR FACE BLOCK (NOSE TYPE B)



ALTERNATE NOSE DETAIL A

(FOR USE WITH MOUNTABLE CURB)



ALTERNATE DETAIL B

| | |
|-------------------------|--|
| SPECIFICATION REFERENCE | |
| 105 | |
| 233 | |
| 302 | |

STANDARD PRECAST TOP UNITS

VIRGINIA DEPARTMENT OF TRANSPORTATION