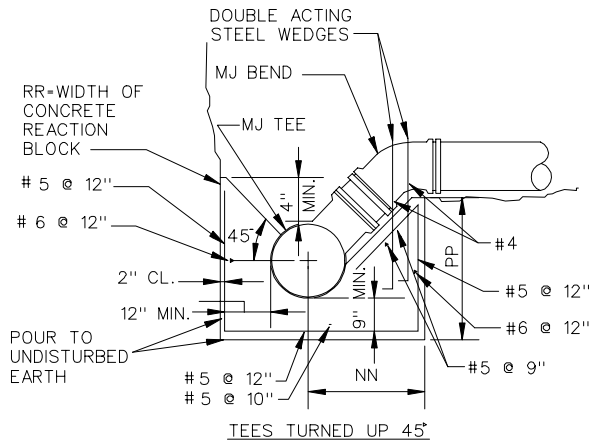
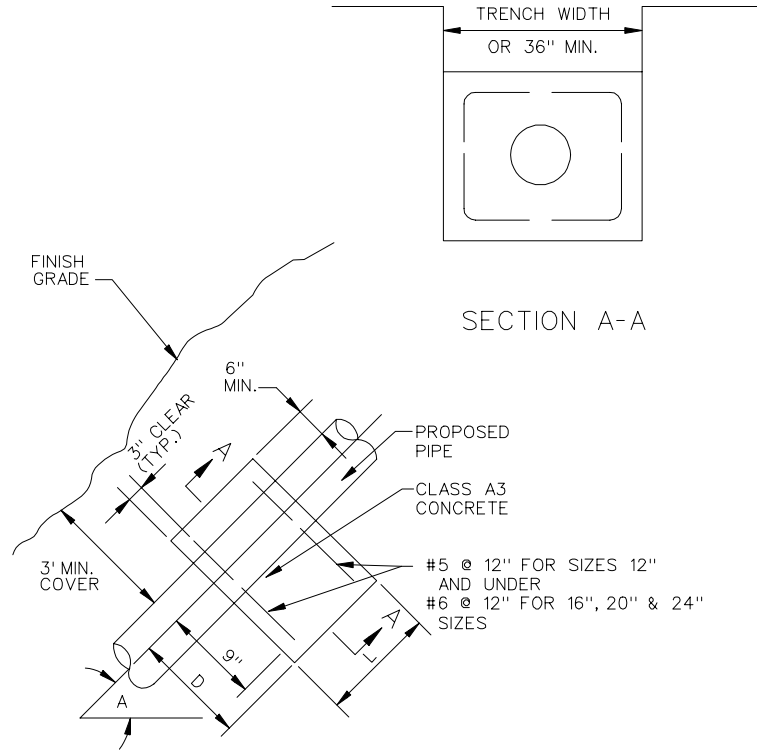


TEES TURNED UP				
BRANCH SIZE				
D	NN	NN	PP	RR
DIA.	11 1/4° 22 1/2°	45°	11 1/4° 22 1/2° 45°	11 1/4° 22 1/2° 45°
4"	3.00	2.50	2.50	2.50
6"	3.00	2.50	2.50	2.50
8"	3.00	2.50	2.50	2.50
10"	3.00	2.50	2.50	2.67
12"	4.00	3.00	2.50	2.83



STRAPPING DETAILS FOR TEES TURNED UP



REACTION BLOCK - STRAIGHT SLOPING PIPE							
SIZE	4"	6"	8"	12"	16"	20"	24"
"D"	12"	15"	15"	18"	21"	24"	27"
"L"	18"	21"	24"	27"	30"	33"	36"

NOTE:

THE STRAIGHT RUN PIPE SHALL BE PROVIDED WITH ANCHOR BLOCKS SPACED THUS:

ANGLE "A"	ANCHOR BLOCKS NOT NEEDED
0° - 10°	SPACING @ 100'
10° - 16°	SPACING @ 60'
16° - 20°	

STRAIGHT PIPE CONCRETE ANCHOR BLOCK

REACTION BLOCKING WATER AND SANITARY SEWER FACILITIES