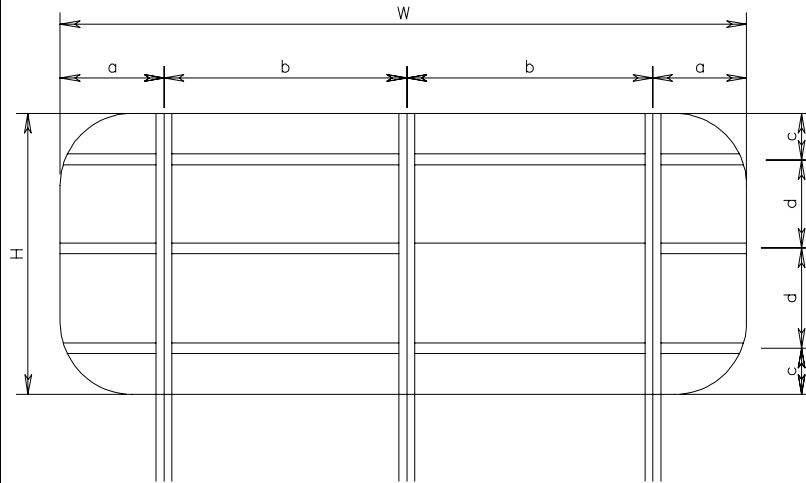
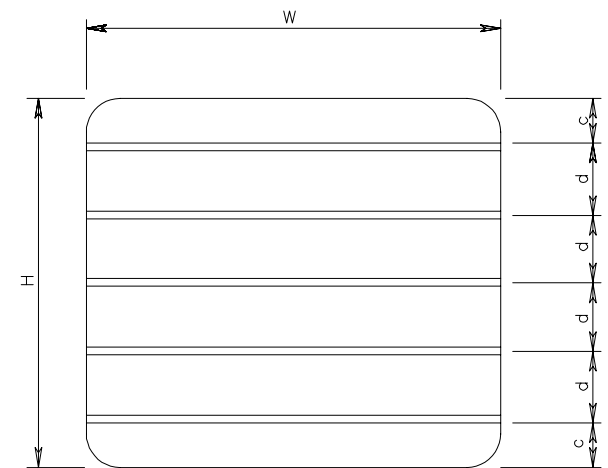


SIGN PANEL  
DETAIL

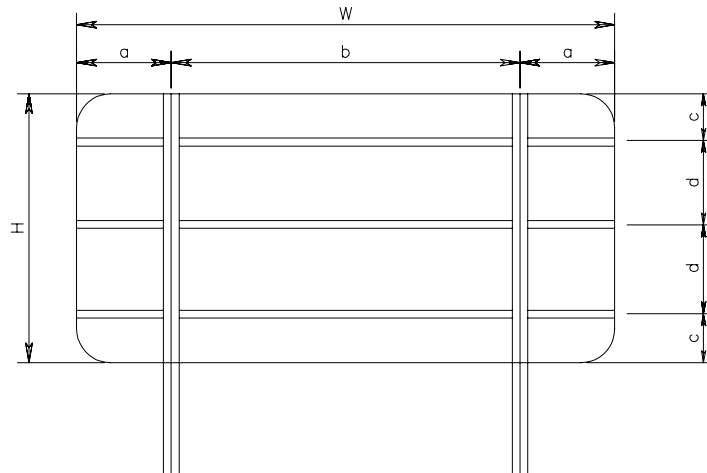


SIGN PANEL  
DETAIL

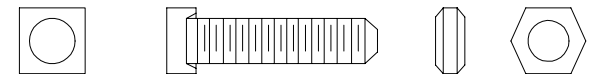


Use the above sign panel detail for "c" and "d" spacing when the "c" dimension for Alternate Sign Panel Attachment Details is "0" or 12 mm.

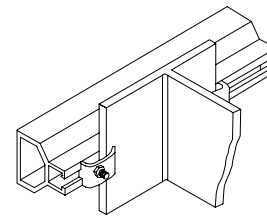
SIGN PANEL  
DETAIL



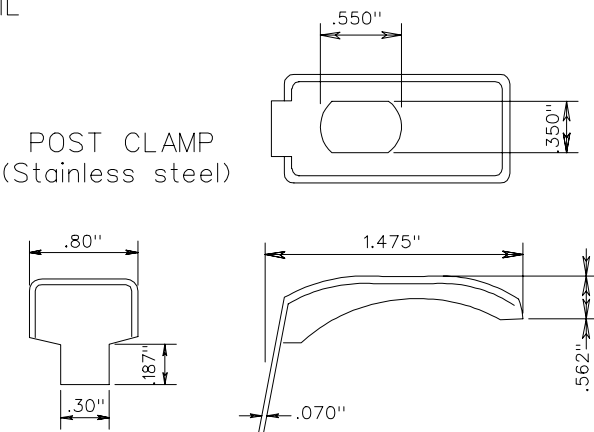
Post clam bolt  
(Stainless steel)



STIFFENER TO POST  
ATTACHMENT DETAIL



POST CLAMP  
(Stainless steel)



See Standard SPD-1 for sign panel design.  
See sheets 1301.67 thru 1301.70 for other details.

# ALTERNATE DETAILS FOR TYPE VIA INTERSTATE SIGN STRUCTURES