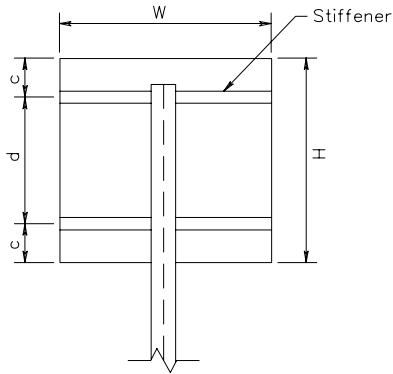
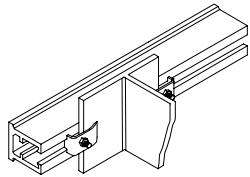


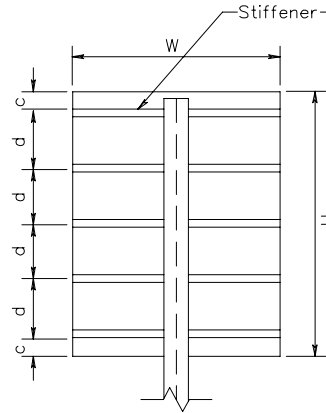
TYPES VA-B, VA-C, VA-D,
VA-L AND VA-M



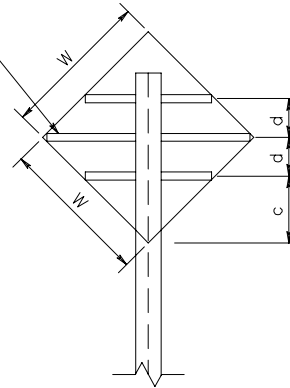
STIFFENER TO POST
ATTACHMENT DETAIL



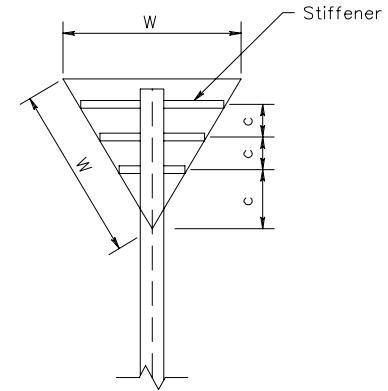
TYPES VA-E



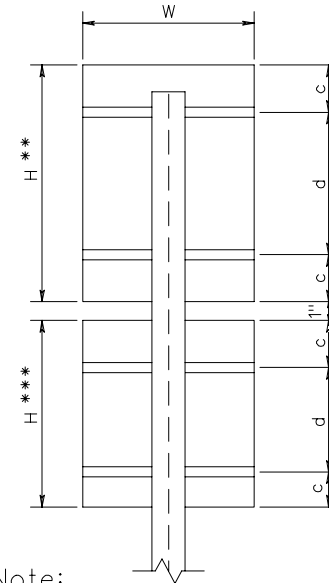
TYPES VA-F



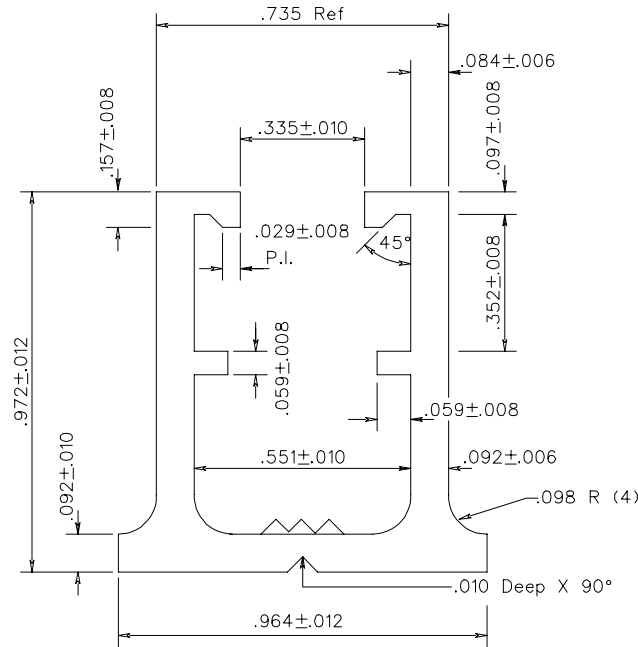
TYPES VA-G



TYPES VA-K



MEDIUM STIFFENER
DETAIL



Note:

Rivets shall be used for securing the stiffeners to the sign unless otherwise specified or approved, and shall be 3/16" minimum diameter by 1/2" long aluminum and capable of withstanding a minimum shear force of 460lbs. Rivet spacing for attaching the stiffeners to the sign panel shall be 6" maximum beginning 1 1/2" from the ends of the sign panel.

STRUCTURE TYPE	W	H	c	d	STIFFENERS	
					NO.	SIZE
VA-B	4'	4'	6 1/2"	2'-11"	2	MEDIUM
VA-C	4'	5'	12 1/2"	2'-11"	2	MEDIUM
VA-D	5'	3'	7"	1'-10"	2	MEDIUM
VA-E	6'	5'	0"	1'-3"	5	MEDIUM
VA-F	4'	—	8"	2'-2"	3	MEDIUM
VA-G	5'	—	1'-4"	—	3	MEDIUM
VA-K	4'	5'**	12 1/2"***	2'-11"	2**	MEDIUM
	4'	4'***	6 1/2"***	2'-11"	2***	MEDIUM
VA-L	6'	6'	6"	1'-3"	5	MEDIUM
VA-M	5'	5'	8"	1'-10"	3	MEDIUM

See Standard SSP-VIA for post clamp and bolt details.
See sheets 1301.59 thru 1301.63 for other details.

ALTERNATE DETAILS FOR TYPE VA SIGN STRUCTURES