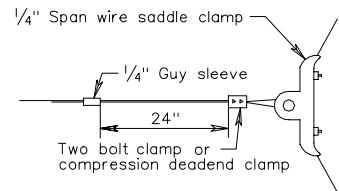
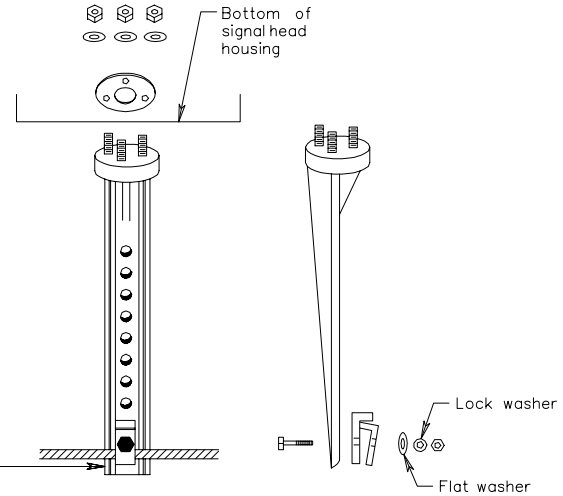


POLE ATTACHMENT

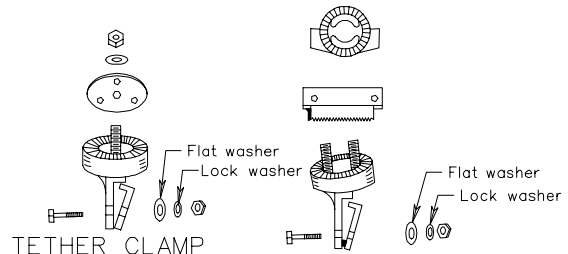


BRIDLE SPAN ATTACHMENT

Minimum 16' clearance from highest point of the pavement surface to lowest point of signal head assembly including backplate and tether clamp (Includes signalheads on bridle span).



ADJUSTABLE TETHER CLAMP



TETHER CLAMP

FIVE-HEAD CLUSTER TETHER CLAMP

TETHER WIRE DETAILS