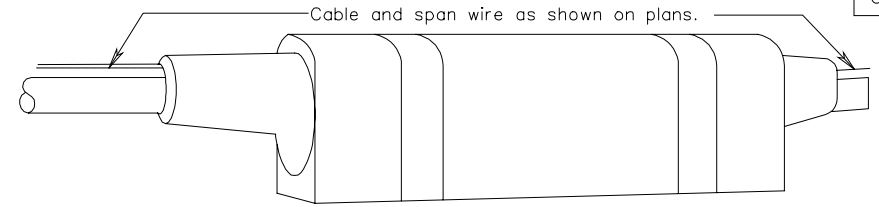
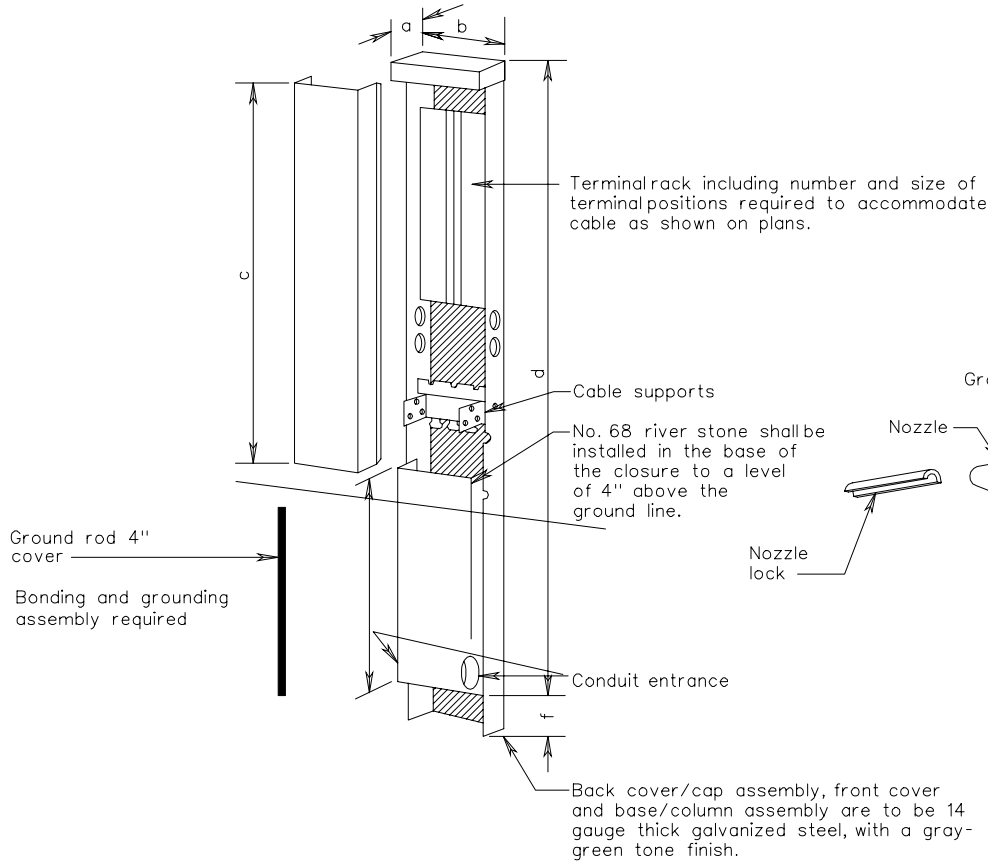


DIMENSIONS (min.)						
TYPE	a	b	c	d	e	f
A	6 5/8"	6 5/8"	26"	47 5/16"	20 9/16"	3"
B	8 1/4"	8 1/4"	26"	47 5/16"	20 9/16"	3"
C	12 7/8"	12 7/8"	23 5/8"	50 5/16"	25 15/16"	-



TYPICAL COMPLETED ASSEMBLY

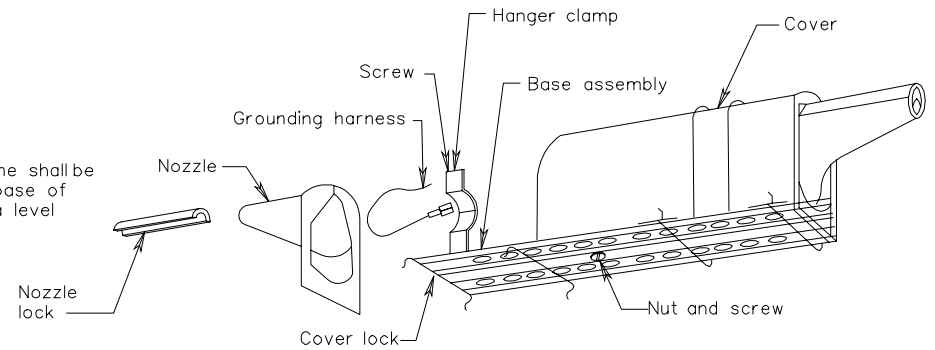


Notes:

This item shall be similar to standard telephone splice enclosures. Terminal block shall be of a non-corrosive material with bright acid tin plated steel screws, nuts, and washers.

TYPICAL ABOVE GROUND CABLE  
TERMINAL ENCLOSURE

CTE - 2



TYPICAL ASSEMBLY BREAKDOWN

Notes:

This item shall be easily re-enterable.

This item shall be similar to standard telephone splice enclosures, and shall include terminal lugs for size and number of cables used, and shall be weather resistant.

Where necessary this item shall be adapted for a "Y" branch of cable and /or for figure 8 cable.

Terminal block shall be of a non-corrosive material with bright acid tin plated steel screws, nuts, and washers.

TYPICAL AERIAL CABLE  
TERMINAL ENCLOSURE

CTE - 3

ABOVE GROUND AND AERIAL CABLE  
TERMINAL ENCLOSURE DETAILS