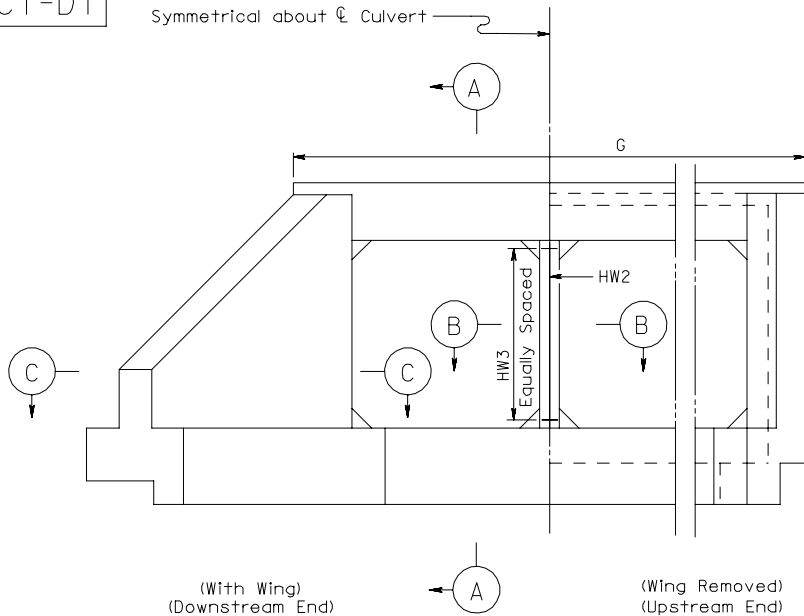
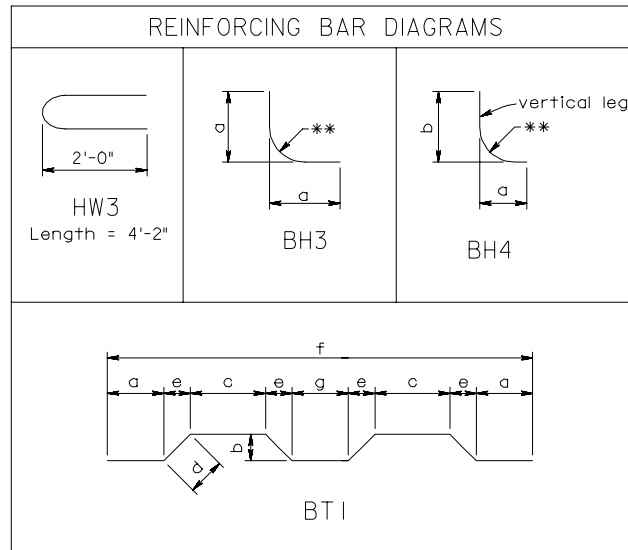


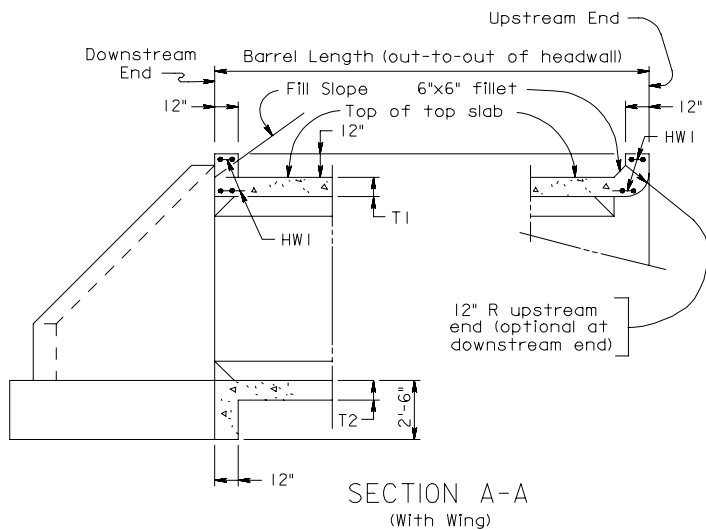
Symmetrical about  $\text{C}$  Culvert



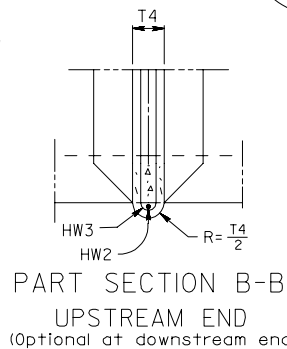
END ELEVATION



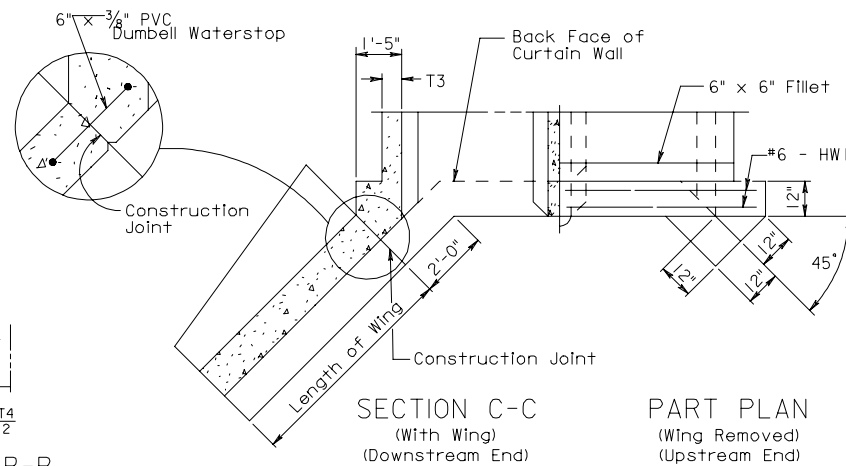
| TABLE A  |          |
|----------|----------|
| Bar Size | Pin Dia. |
| #3       | 2 1/4"   |
| #4       | 3"       |
| #5       | 3 3/4"   |
| #6       | 4 1/2"   |
| #7       | 5 1/4"   |
| #8       | 6"       |
| #9       | 9"       |



SECTION A-A  
(With Wing)



PART SECTION B-B  
UPSTREAM END  
(Optional at downstream end)



SECTION C-C  
(With Wing)  
(Downstream End)

PART PLAN  
(Wing Removed)  
(Upstream End)