

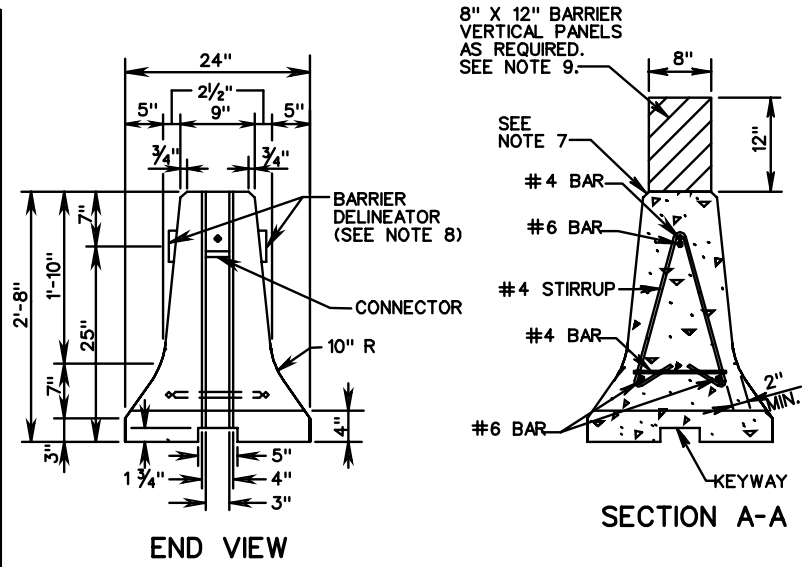
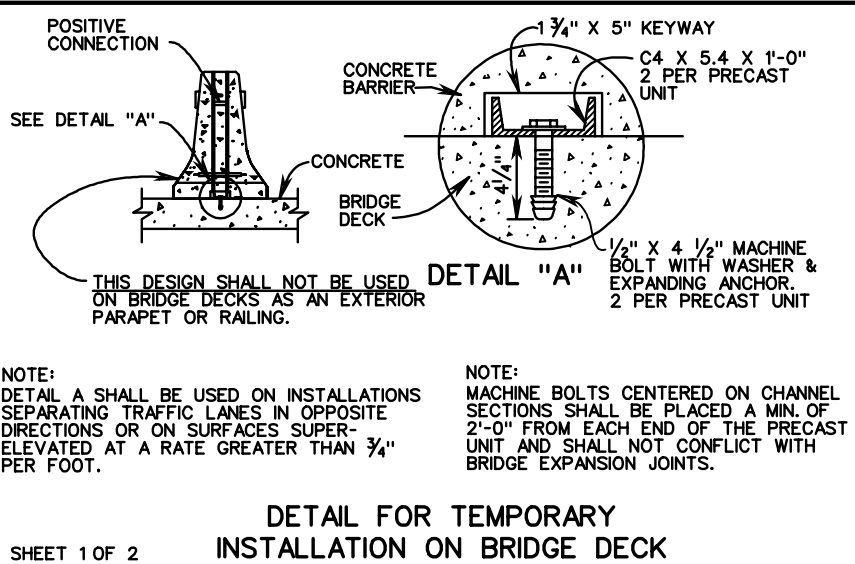
OPTIONAL
1/2" x 1/2"
CHAMFER
EACH END

FLARE RATES *			
DESIGN SPEED	INSIDE SHY LINE		Beyond SHY LINE
	SHY LINE LS	FLARE RATE	FLARE RATE
70	10'	30:1	20:1
60	8'	26:1	17:1
50	6.5'	21:1	14:1
40	5'	17:1	11:1
30	3.5	13:1	8:1

*SUGGESTED MAXIMUM FLARED RATE FOR RIGID BARRIER SYSTEMS.

NOTES:

- FOR POSITIVE CONNECTION DETAILS AND DIMENSIONS SEE SHEETS 501.59 - 501.61.
- AT THE OPTION OF THE MANUFACTURER, ADDITIONAL REINFORCING MAY BE ADDED TO THE PRECAST CONCRETE BARRIER FOR HANDLING.
- CONCRETE SHALL BE 4000 P.S.I. MINIMUM.
- BARRIER DELINEATOR SIZE, COLOR AND SPACING SHALL BE IN ACCORDANCE WITH THE SPECIFICATIONS.
- COST OF DELINEATOR SHALL BE INCLUDED IN THE PRICE BID FOR TRAFFIC BARRIER SERVICE.
- OTHER PRECAST TRAFFIC BARRIER SERVICE CONCRETE DESIGNS THAT MEET NCHRP 350 TEST REQUIREMENTS AND HAVE BEEN ACCEPTED BY VDOT AS AN ACCEPTABLE ALTERNATE TO THE STANDARD DESIGN MAY BE SUBSTITUTED.
- A 1" RADIUS MAY BE USED AS AN ALTERNATE FOR THE 3/4" CHAMFER.
- BARRIER DELINEATOR REFLECTIVE SURFACE IN ALL INSTANCES SHALL BE FACING ONCOMING TRAFFIC.
- BARRIER VERTICAL PANELS SHALL BE SPACED IN ACCORDANCE WITH VIRGINIA WORK AREA PROTECTION MANUAL.



PRECAST TRAFFIC BARRIER SERVICE CONCRETE