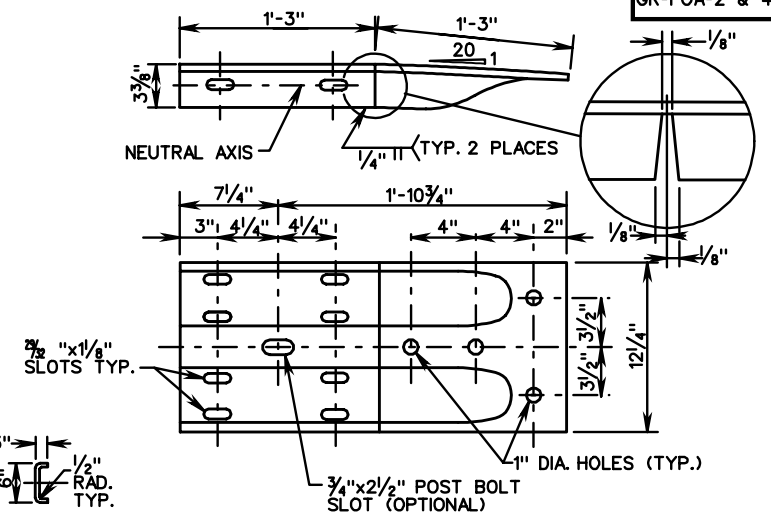
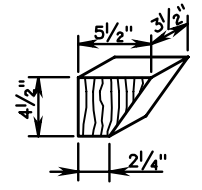


ITEM 7 DETAIL

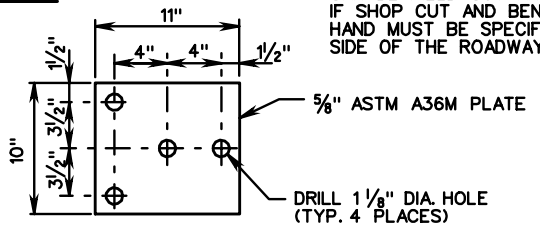


W-BEAM TERMINAL CONNECTOR (MOD.)

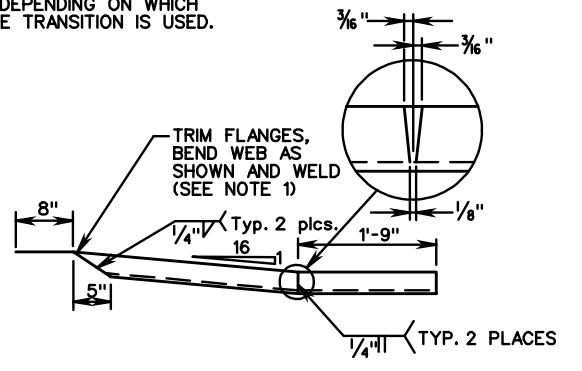
NOTES:  
 CAN BE FIELD CUT AND BENT USING HEAT.  
 IF SHOP CUT AND BENT, RIGHT HAND OR LEFT  
 HAND MUST BE SPECIFIED DEPENDING ON WHICH  
 SIDE OF THE ROADWAY THE TRANSITION IS USED.



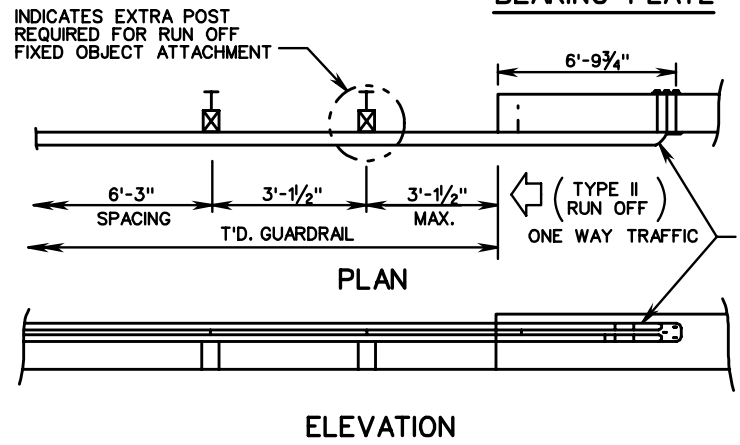
ITEM 10 DETAIL



BEARING PLATE

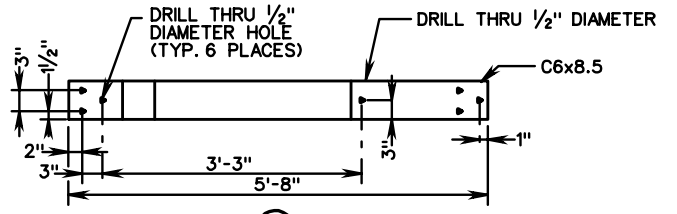


ITEM 8 DETAIL



ELEVATION

ST'D. W-BEAM TERMINAL CONNECTOR



SPECIFICATION REFERENCE
506

# W BEAM GUARDRAIL - FIXED OBJECT ATTACHMENT RUBRAIL AND HARDWARE DETAILS