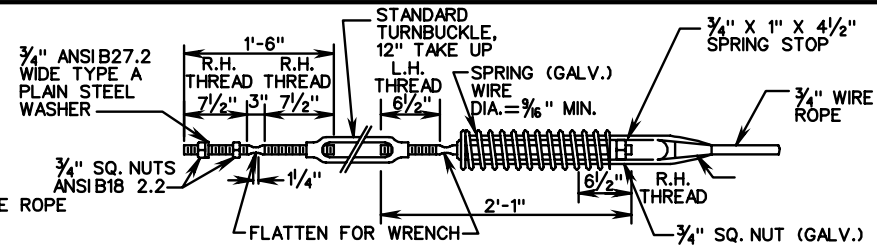
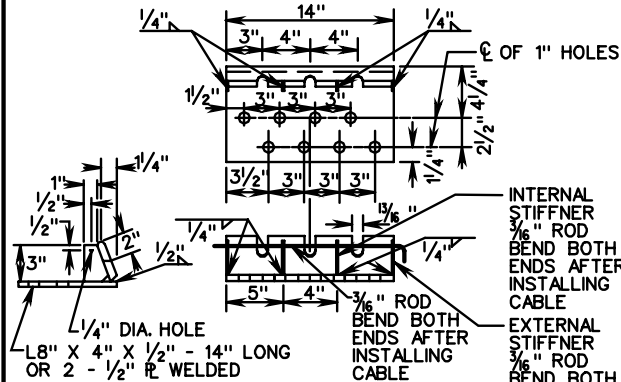


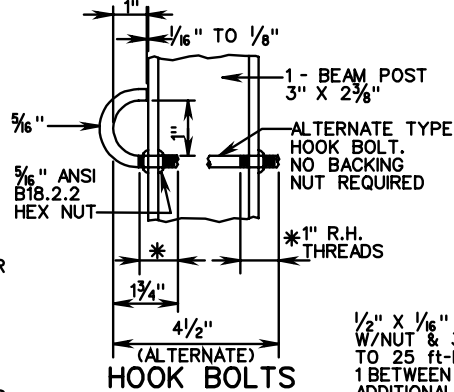
STEEL TURNBUCKLE CABLE END ASSEMBLY



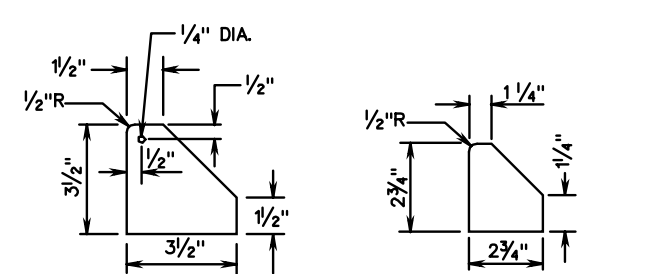
SPRING CABLE END ASSEMBLY (COMPENSATING DEVICE)



BREAKAWAY ANCHOR ANGLE



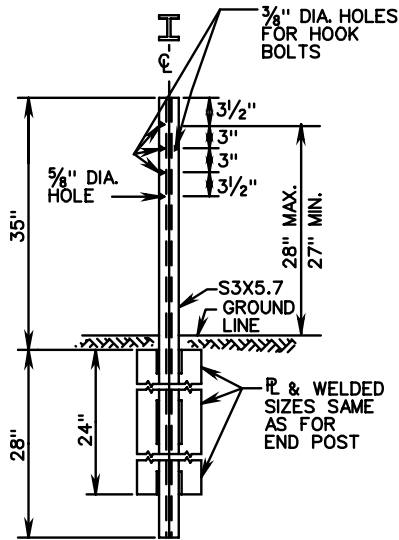
HOOK BOLTS



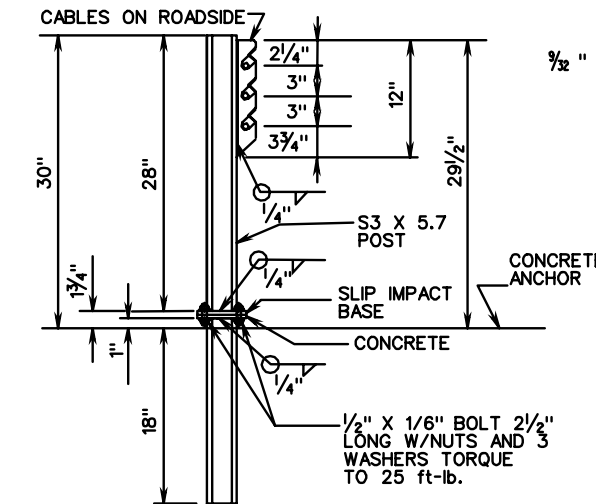
EXTERNAL STIFFENER

INTERNAL STIFFENER

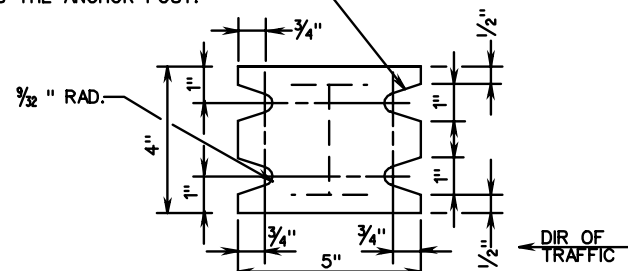
1/2" X 1/16" BOLT 2 1/2" LONG. W/NUT & 3 WASHERS. TORQUE TO 25 FT-LB. 1 WASHER UNDER HEAD. 1 BETWEEN STIFFENERS. 1 UNDER NUT. ADDITIONAL 1/16" THICK WASHER MAY BE PLACED BETWEEN STIFFENERS TO PLUMB THE ANCHOR POST.



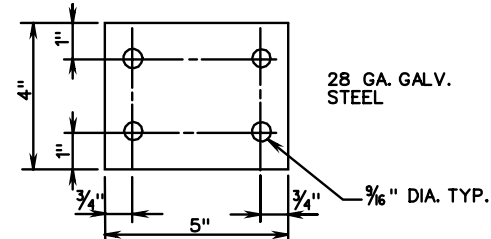
INTERMEDIATE POST DETAIL



ANCHOR POST DETAIL (SHOWN FOR LEFT HANDED ANCHOR)



SLIP IMPACT BASE (KEEPER PLATE NOT SHOWN)



KEEPER PLATE

CABLE GUARDRAIL

VIRGINIA DEPARTMENT OF TRANSPORTATION

SPECIFICATION REFERENCE

221
505