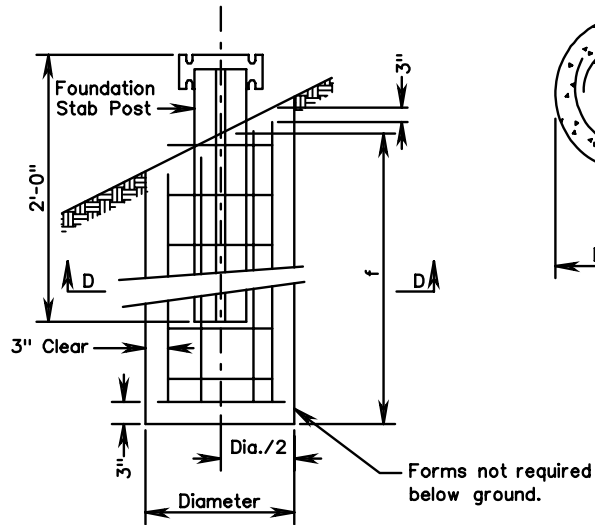


FOUNDATION

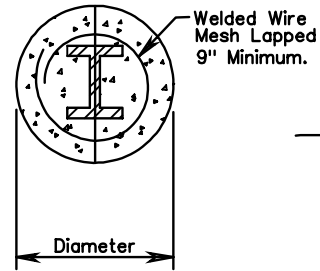
Elevation



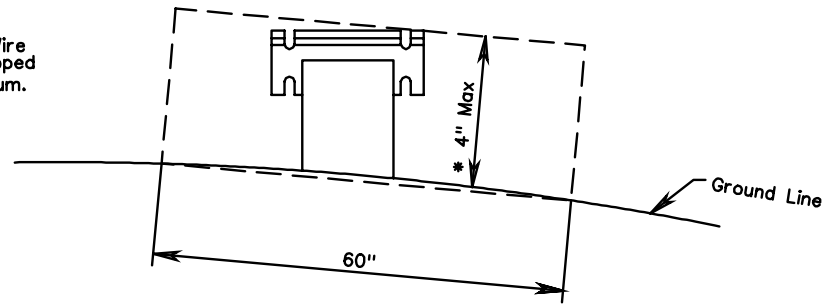
6 x 6 - MW5.5 x MW5.5

** 6 x 6 - 2/2 Welded Wire Mesh

SECTION D-D



METHOD TO DETERMINE
MAXIMUM PROJECTION OF SIGN STUB POST



* 4" Maximum projection when measured above a 60" chord aligned radially to the centerline of the highway and connecting any point, within the length of the chord, on the ground surface on one side of the support to a point on the ground surface on the other side.

** Requires two layers offset in both directions resulting in 3" square openings.

TYPICAL DETAILS FOR TYPE VA
SIGN STRUCTURES

VIRGINIA DEPARTMENT OF TRANSPORTATION