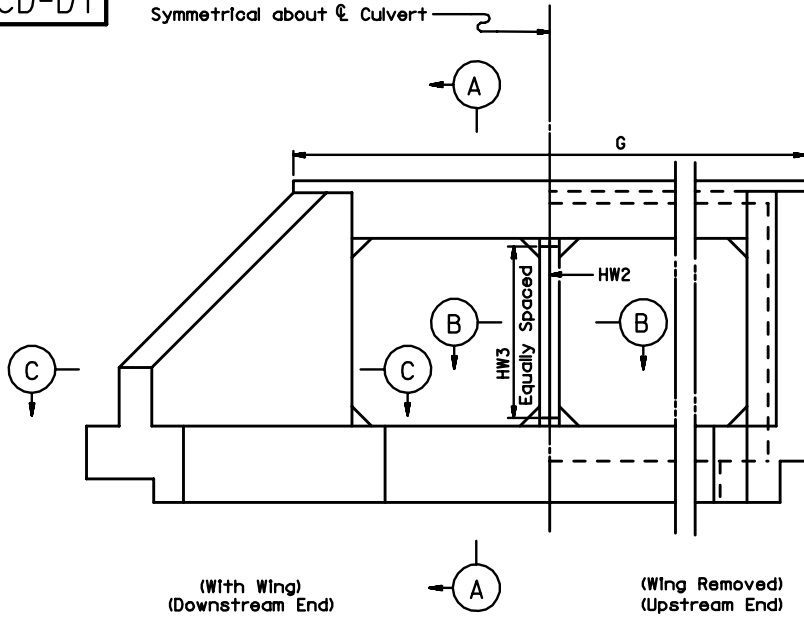


Symmetrical about $\text{\textcircled{C}}$ Culvert



END ELEVATION

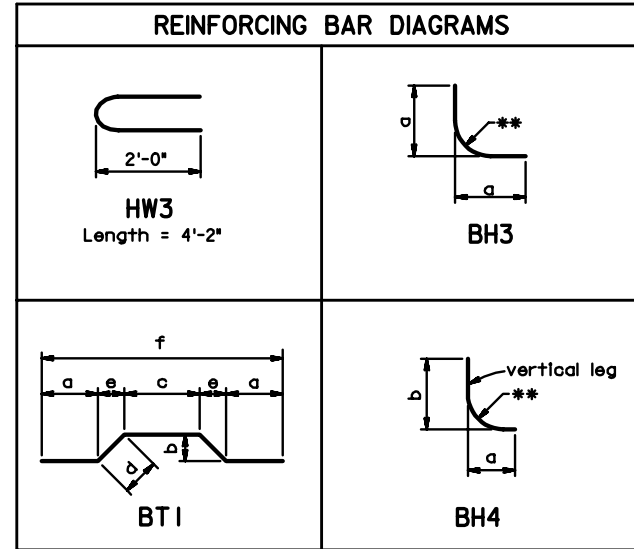
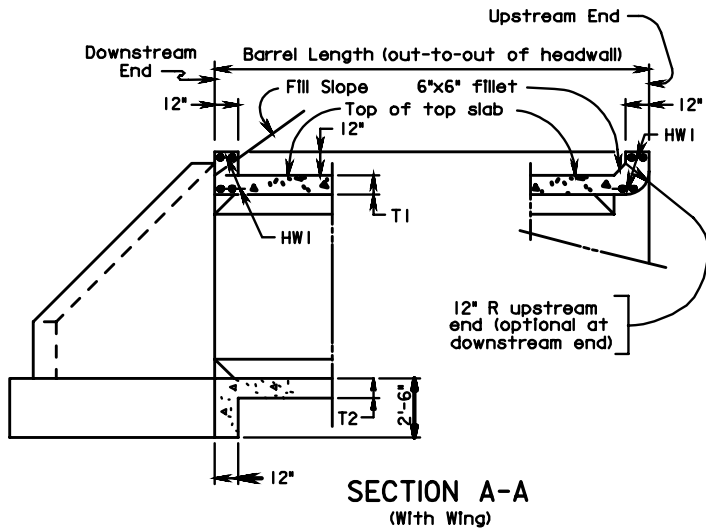
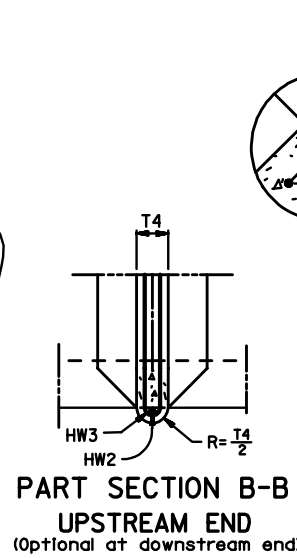


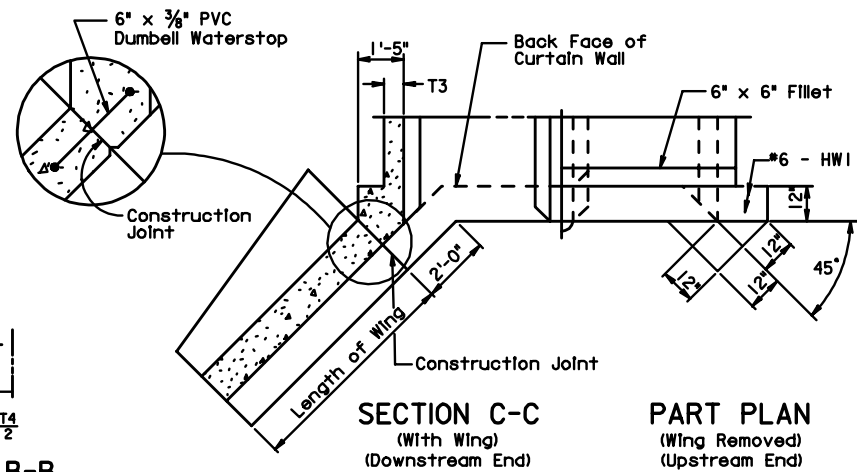
TABLE A	
Bar Size	Pin Dia.
#3	2/4"
#4	3"
#5	3 3/4"
#6	4 1/2"
#7	5 1/4"
#8	6"
#9	9"



SECTION A-A
(With Wing)



PART SECTION B-B
UPSTREAM END
(Optional at downstream end)



SECTION C-C
(With Wing)
(Downstream End)

PART PLAN
(Wing Removed)
(Upstream End)

**DOUBLE BOX CULVERTS
STANDARD DETAILS**