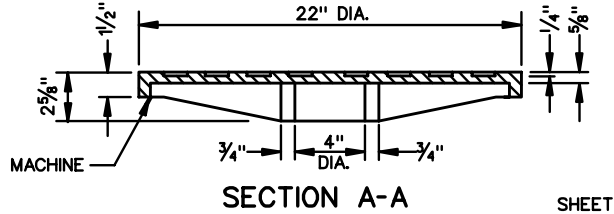
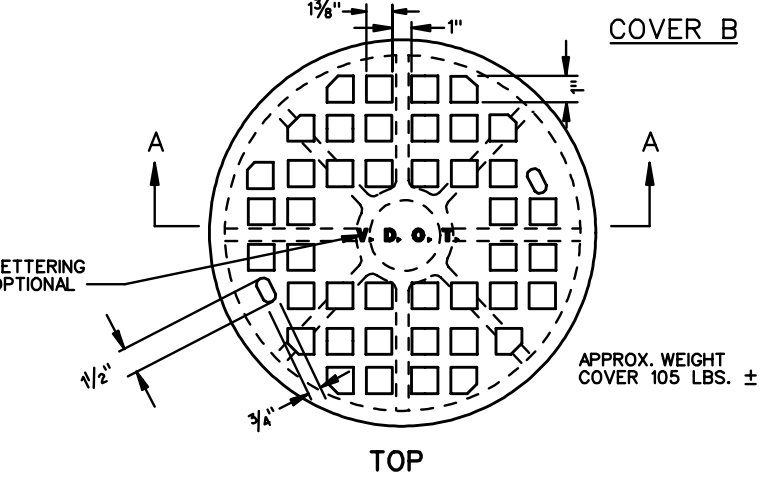
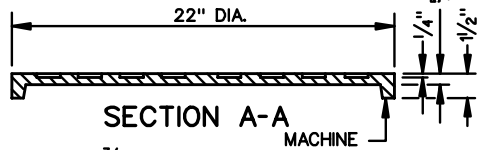
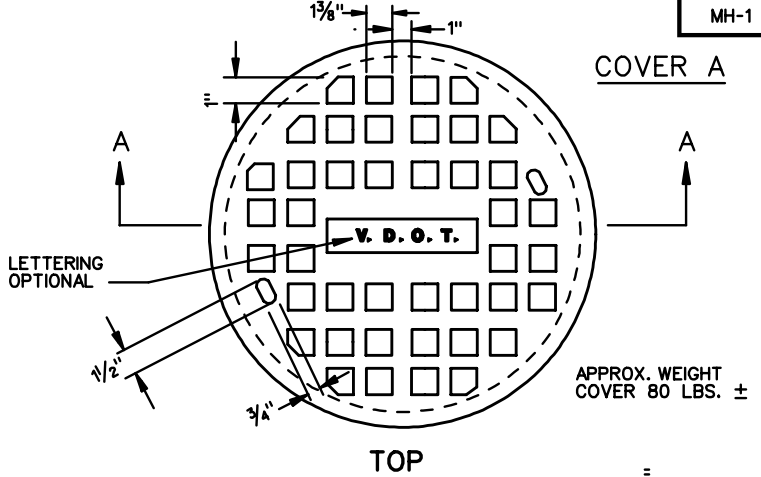


APPROX. WEIGHT COVER 170 LBS. ±

EITHER COVER A OR B MAY BE USED WITH FRAME.



SPECIFICATION REFERENCE
224
302

STANDARD MANHOLE FRAME AND COVER

VIRGINIA DEPARTMENT OF TRANSPORTATION