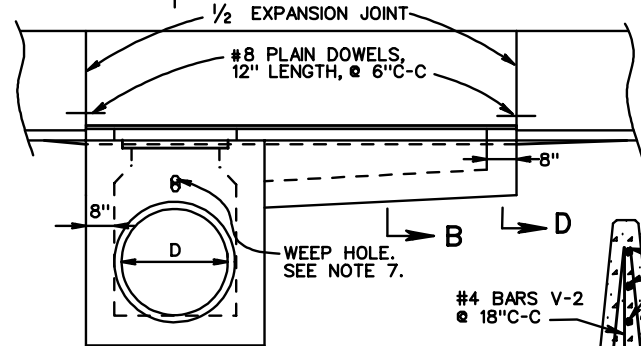
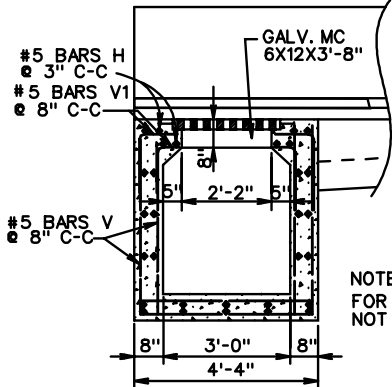


PLAN VIEW

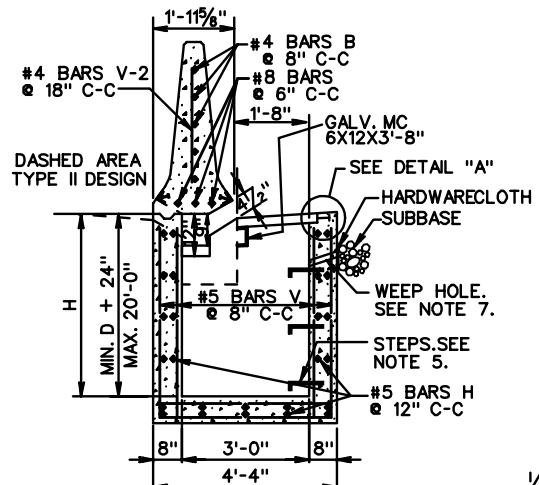


FRONT ELEVATION  
(PAVEMENT REMOVED)

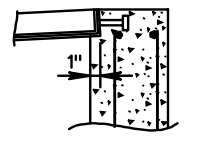


SECTION C-C

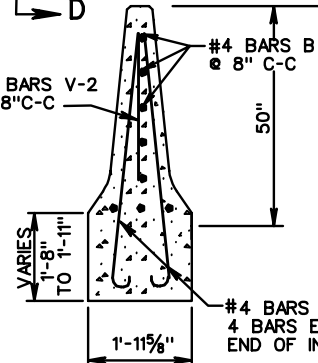
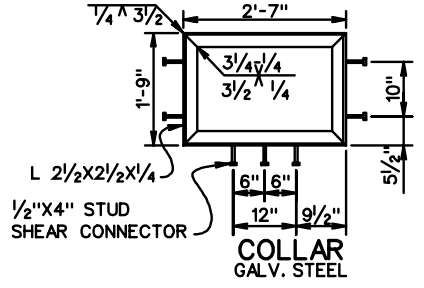
NOTE:  
FOR DIMENSIONS, QUANTITIES AND NOTES  
NOT SHOWN SEE SHEET 2 OF 2.



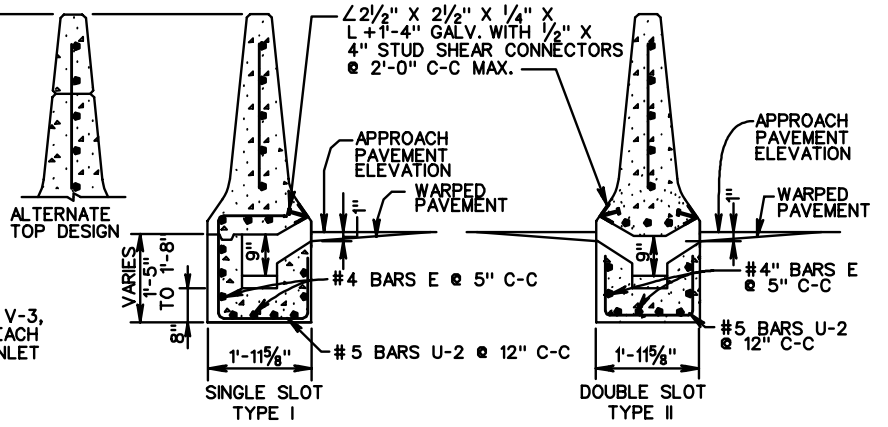
SECTION A-A  
(PIPE NOT SHOWN)



DETAIL "A"

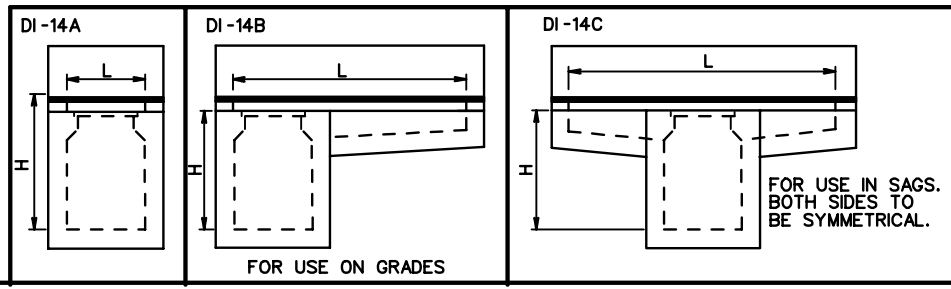


SECTION D-D



SECTION B-B

SECTION B-B



SHEET 1 OF 2

SPECIFICATION REFERENCE
233 302

# CONCRETE MEDIAN BARRIER DROP INLET 12"-36" PIPE: DEPTH (H)-20'-0" MAX.