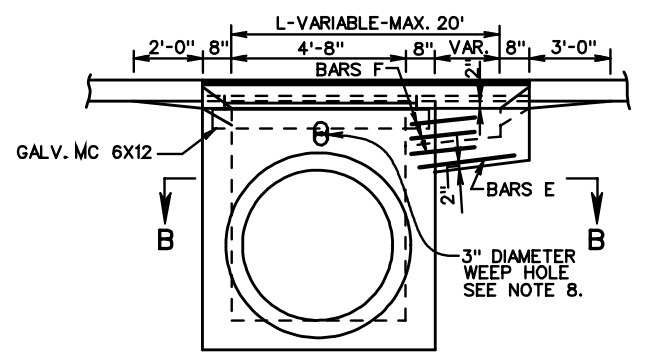
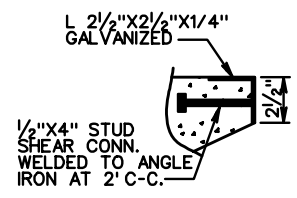
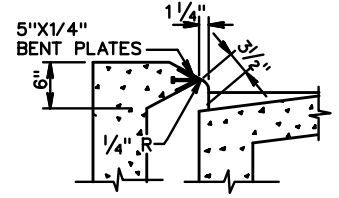
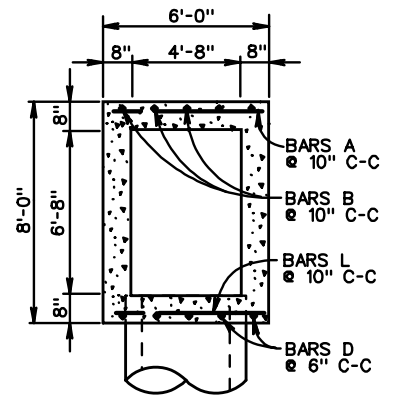
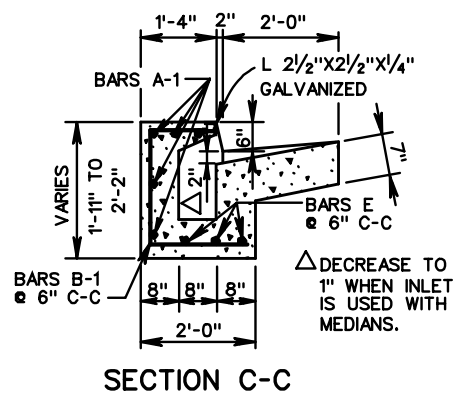
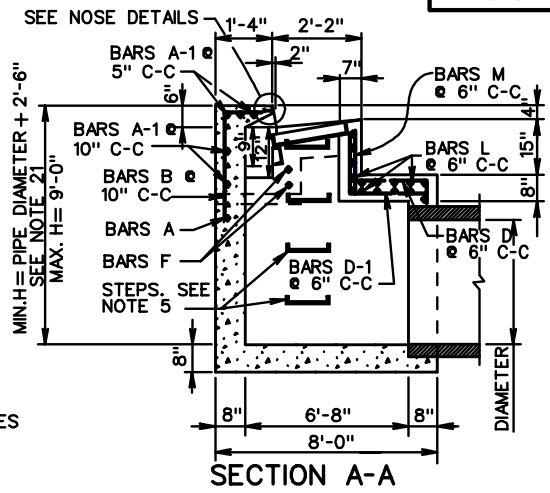
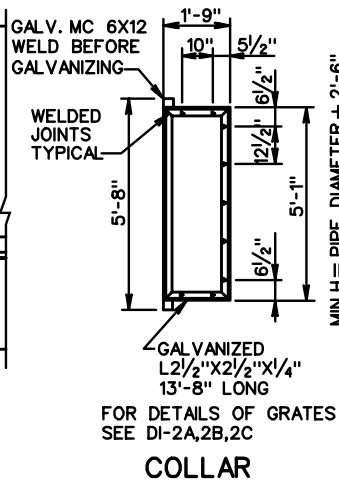


PLAN VIEW

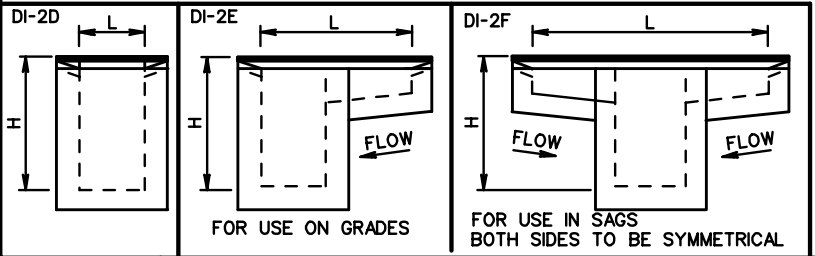


FRONT ELEVATION



NOSE DETAILS

TYPE A NOSE DETAIL SHALL BE USED WITH CG-7 STANDARD.  
 TYPE B NOSE DETAIL SHALL BE USED WITH CG-6 STANDARD.  
 GALVANIZED PLATE FOR TYPE A TO BE BENT ON AN ANGLE OF 54° AND IS TO BE ANCHORED WITH 1/2" X 4" STUD SHEAR CONNECTORS WELDED TO BENT PLATE AT 2' C-C.



SPECIFICATION REFERENCE
233
302

**STANDARD CURB DROP INLET**  
**30" - 48" PIPE: MAXIMUM DEPTH (H) = 9'**

VIRGINIA DEPARTMENT OF TRANSPORTATION