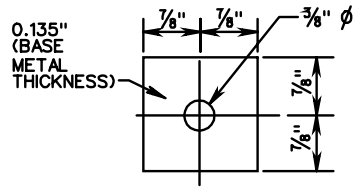
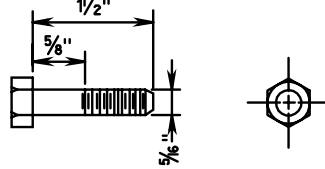


⊗ THE GUARDRAIL AND MEDIAN BARRIER COMPONENTS DEPICTED IN A.R.T.B.A. TECHNICAL BULLETIN NUMBER 268B MAY BE SUBSTITUTED IF INTERCHANGEABLE WITH THE STANDARDS FOR GUARDRAIL (GR) OR MEDIAN BARRIER (MB) AND APPROVED BY THE ENGINEER.



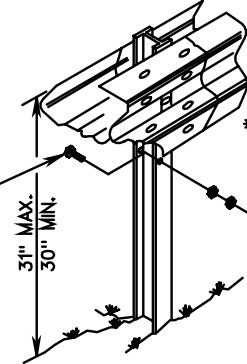
SQUARE WASHER

BOLT AND NUT SHALL HAVE 4000 POUNDS MIN. TENSILE STRENGTH.



5/16" HEX BOLT AND NUT

5/8" DIAMETER HOLE FOR 1/2" SUPPORT BOLT 1/2" LONG, 2 NUTS, NO WASHER. NO SUPPORT BOLTS IN THE LAST THREE POSTS OF EACH END OF EACH INSTALLATION.



* SUPPORT BOLT TO BE LOCATED UNDER BOTH RAIL BEAMS.

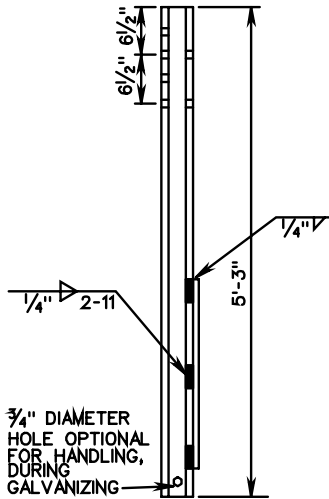
TYPICAL INSTALLATION

NOTES:

- STANDARD MB-5 POST SPACING IS 12'-6"
- STANDARD MB-5A POST SPACING IS 6'-3"
- STANDARD MB-5B POST SPACING IS 3'-1/2"
- STANDARD MB-5 DEFLECTION IS 8'-0"

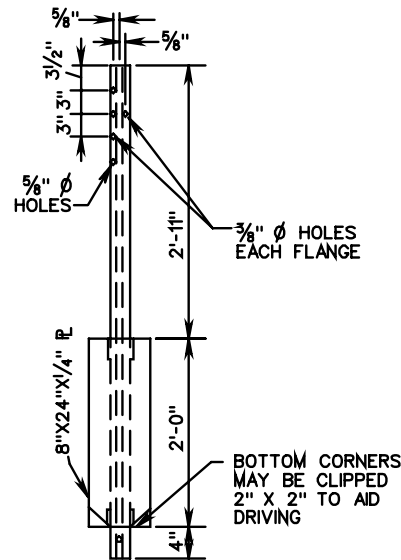
ALL POSTS, BOLTS, NUTS AND WASHERS ARE TO BE GALVANIZED.

FOR DETAILS OF GUARDRAIL ELEMENT, SPLICE JOINT, HARDWARE, ETC. SEE SHEET NO. 501.01.

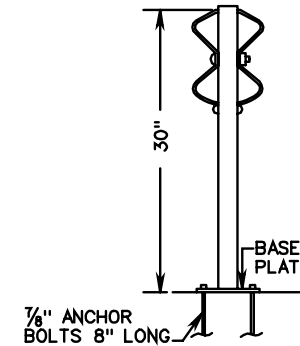


S3X5.7 STEEL POST

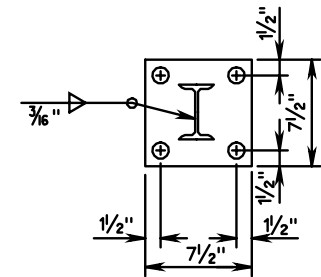
FOR ROCK INSTALLATION, 8" X 24" X 1/4" PLATE IS TO BE ELIMINATED. DRILL OR EXCAVATE HOLE FOR POST, PLACE AND BACKFILL WITH CRUSHER RUN AGGREGATE TO LEVEL OF ROCK.



ALL HOLES 1" Ø DIAMETER
ALL WELDS 3/16"
PLATE IS 1/2" THICK



STRUCTURE MOUNTED BARRIER



BASE PLATE

SPECIFICATION REFERENCE

221
505

STANDARD W BEAM MEDIAN BARRIER (WEAK POST SYSTEM)

VIRGINIA DEPARTMENT OF TRANSPORTATION