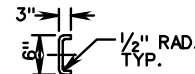


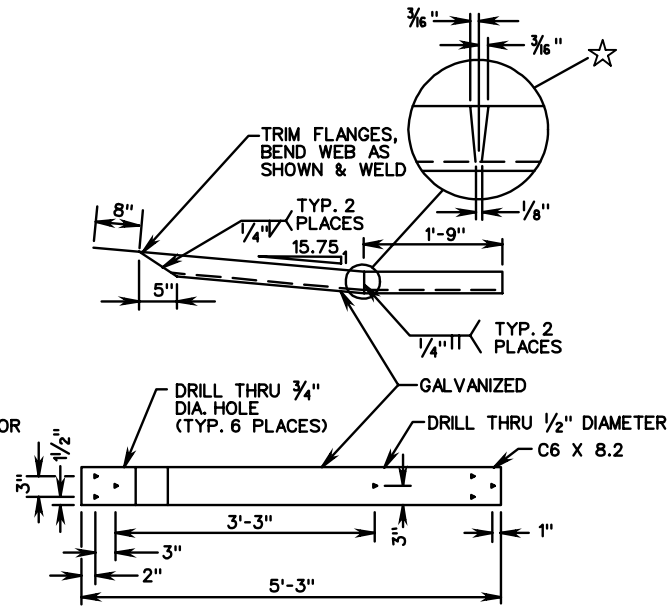
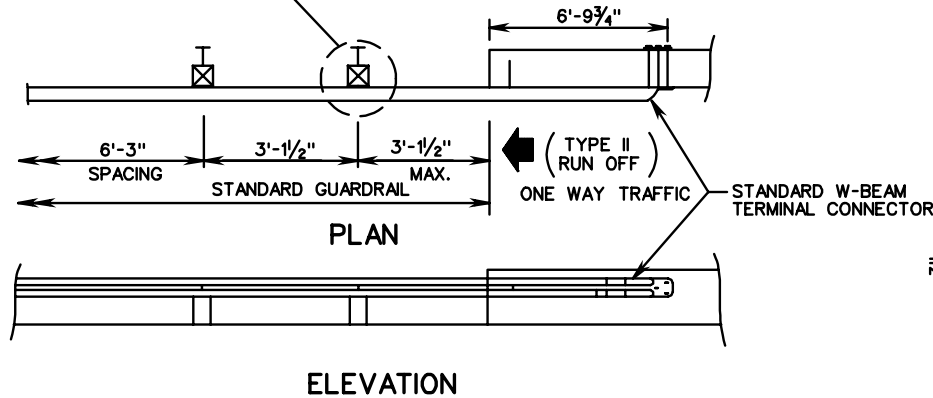
☆ CAN BE FIELD CUT AND BENT USING HEAT.



NOTE:
CAN BE FIELD CUT AND BENT USING HEAT.
IF SHOP CUT AND BENT, RIGHT HAND OR LEFT
HAND MUST BE SPECIFIED DEPENDING ON
WHICH SIDE OF THE ROADWAY THE TRANSITION
IS USED.

ITEM ⑦ DETAIL

INDICATES EXTRA POST REQ'D. FOR
RUN-OFF FIXED OBJECT ATTACHMENT
ST'D. GR-FOA-1 TYPE II



ITEM ⑧ DETAIL

**W BEAM GUARDRAIL - FIXED OBJECT ATTACHMENT
RUBRAIL AND HARDWARE DETAILS**

SPECIFICATION
REFERENCE

505