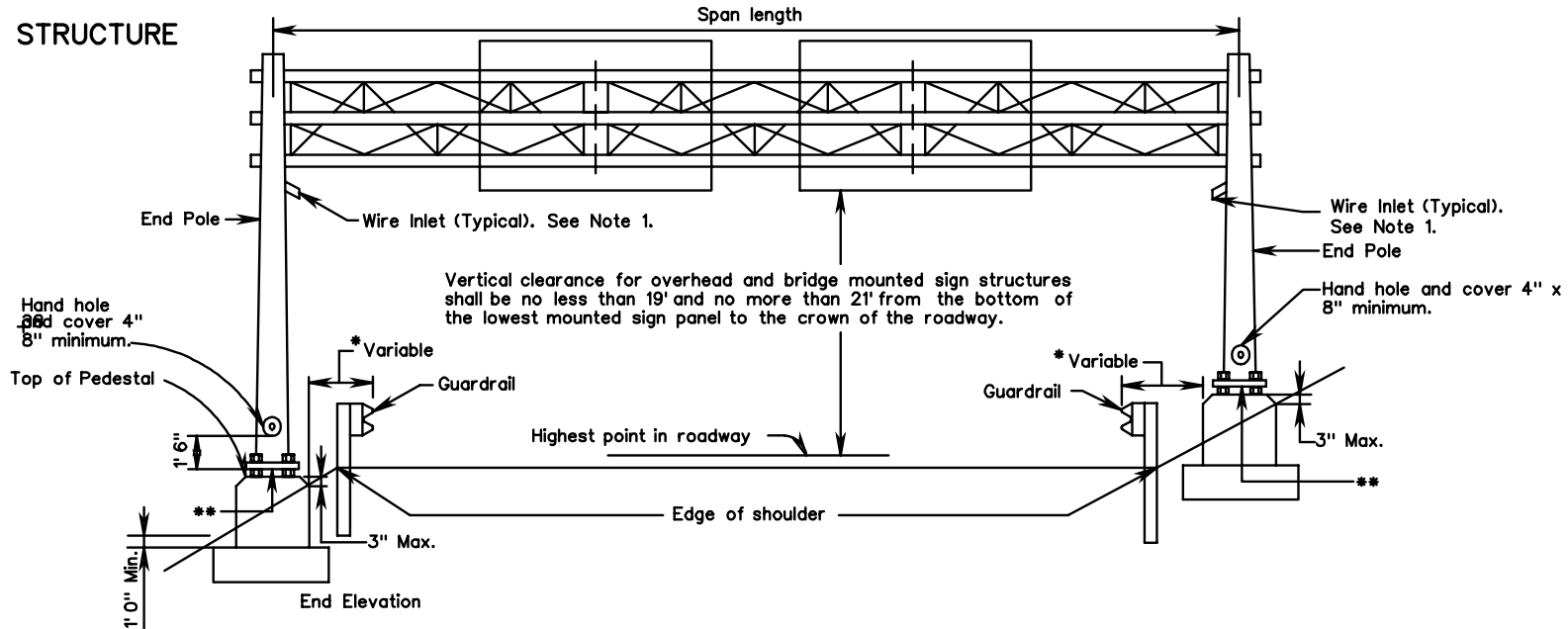
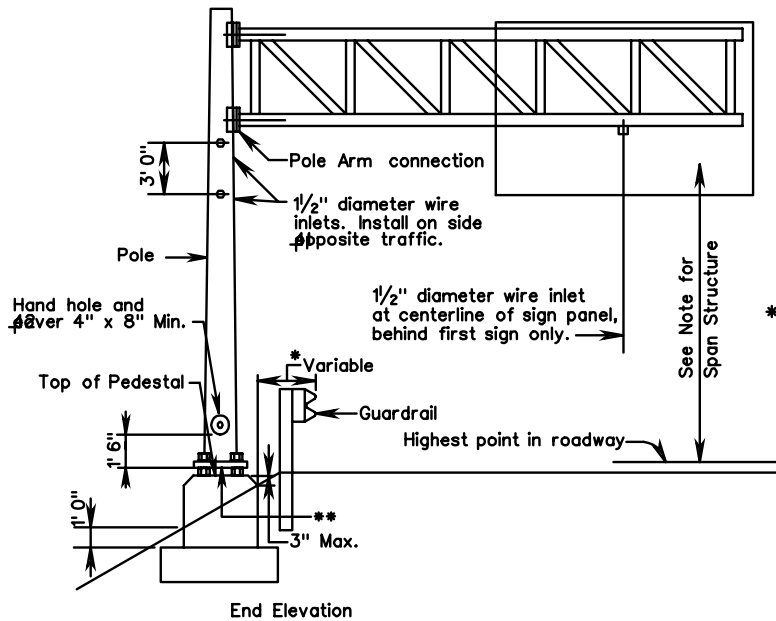


SPAN STRUCTURE



Vertical clearance for overhead and bridge mounted sign structures shall be no less than 19' and no more than 21' from the bottom of the lowest mounted sign panel to the crown of the roadway.

CANTILEVER STRUCTURE



NOTES:

1. 1/2" diameter wire inlets shall be provided at the following locations:
 - A. On span structures on the front leg of end pole 12" below bottom chord.
 - B. On cantilever structures on pole 12" below bottom chord.
 - C. On span structures below bottom chord at centerline behind first sign panel from each end pole.
 - D. On cantilever structures below bottom chord at centerline behind first sign panel from pole.
2. All unused wire inlets shall be capped water tight.
- *3. Distance shall be no less than the minimum indicated in Standard GR-INS.
4. No mortar, grout, or concrete shall be placed between bottom of base plate and top of pedestal.
- **5. Distance between bottom of base plate and top of pedestal shall be less than or equal to twice the diameter of anchor bolt but shall not be greater than 3".

TYPICAL DETAILS FOR OVERHEAD SIGN STRUCTURES