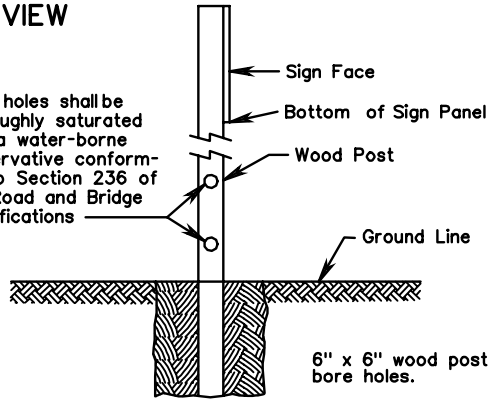


METHOD OF POST DRILLING

SIDE VIEW

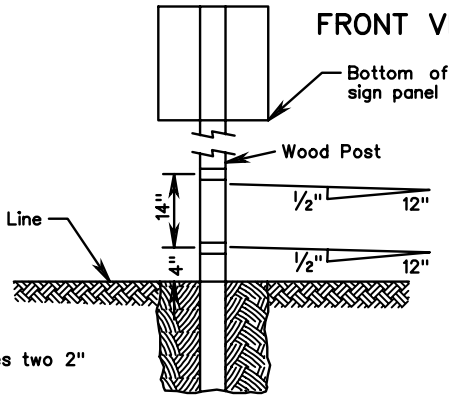
Bore holes shall be thoroughly saturated with a water-borne preservative conforming to Section 236 of the Road and Bridge Specifications



6" x 6" wood post requires two 2" bore holes.

6" x 8" wood post requires two 3" bore holes. Posts less than 6" x 6" do not require bore holes.

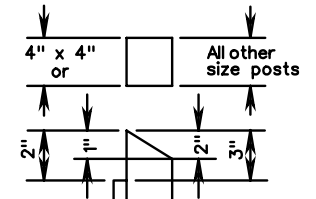
FRONT VIEW



FLAT CUT

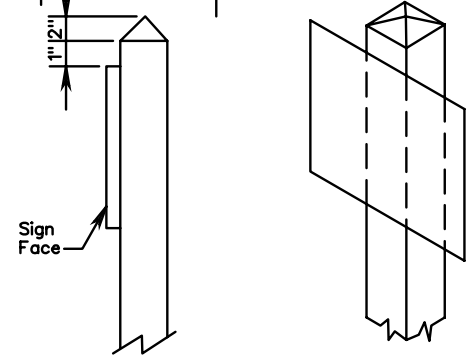
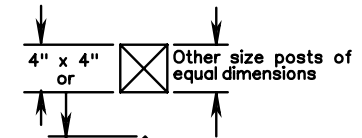


SHED CUT



Sign Face

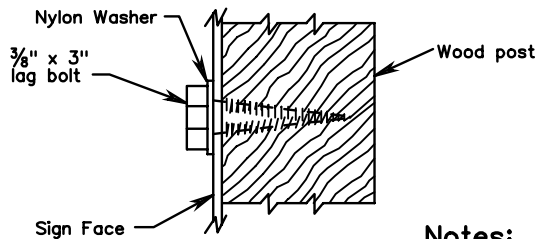
PYRAMIDAL CUT



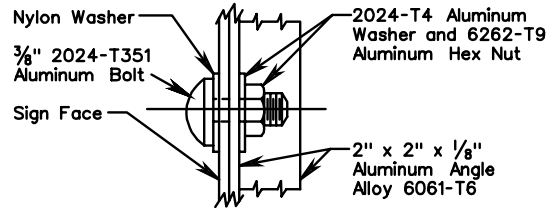
SIGN PANEL ATTACHMENT DETAILS

WOOD POSTS

(For Sign Panel Attachment To Z Bars, See Standard SPD-1)



ALUMINUM FRAMING



Notes:

Nylon washer shall be 1/8" thick minimum with an outside diameter of 1" and an inside diameter of 7/16"

To obtain a flush mounting surface for signs, all wood shall be mortised where necessary, to receive flange of aluminum angle.

Note:

Flat cut wood post is shown on Types A through X as typical. Shed cut and pyramidal cut wood post designs may be used; however, the style of wood post shall be uniform throughout a project.

TYPICAL DETAILS FOR STANDARD WOOD POST STRUCTURE TYPES

VIRGINIA DEPARTMENT OF TRANSPORTATION