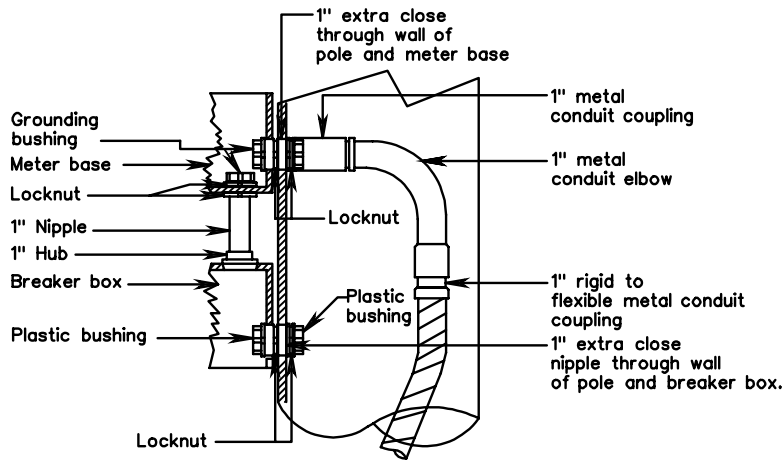
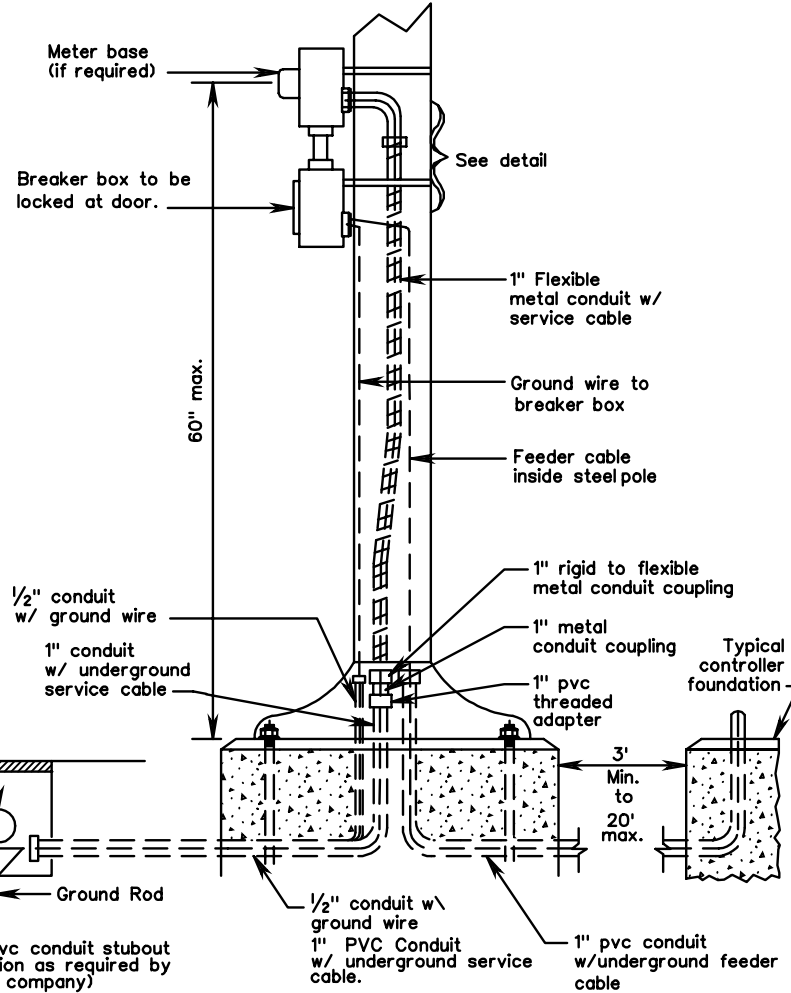
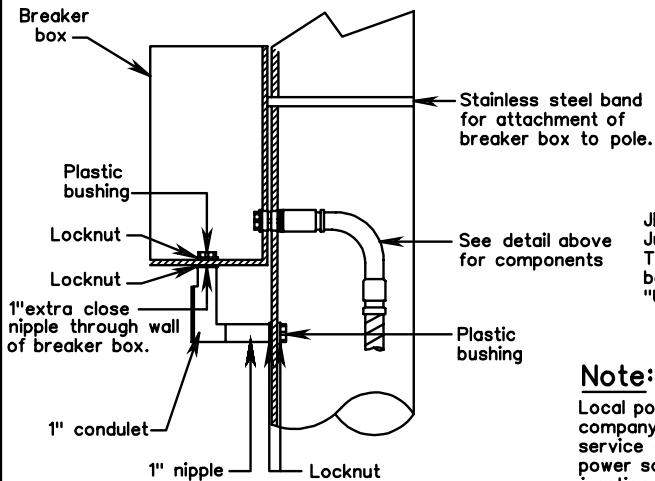


DETAIL



ALTERNATE DETAIL

(Used when meter base not required)



TYPE B

ELECTRICAL SERVICE DETAILS
SIGNAL INSTALLATION

VIRGINIA DEPARTMENT OF TRANSPORTATION