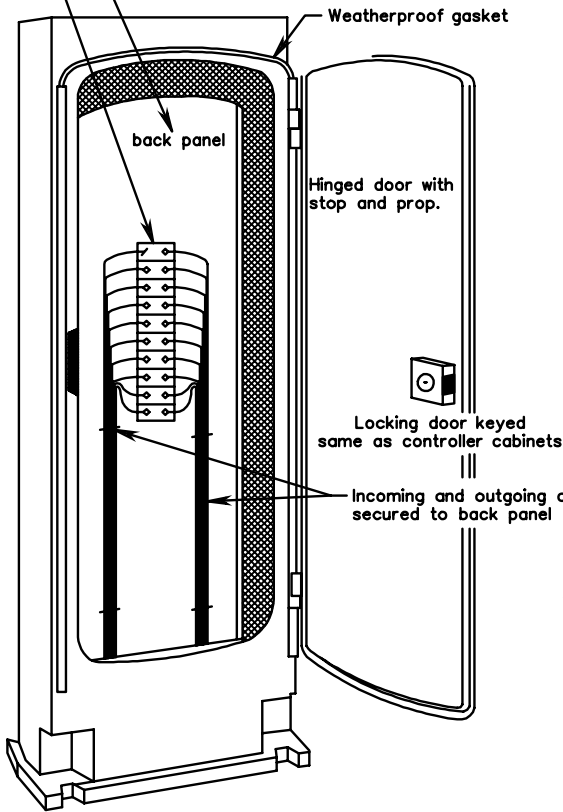


CTE-1

Two pole terminal strip with jumpers sized to accommodate wire size and having number of terminal poles required to accommodate cable shown by plans plus 10 spare terminals. Terminal block shall be a non-corrosive material with stainless steel screws, washers and nuts.

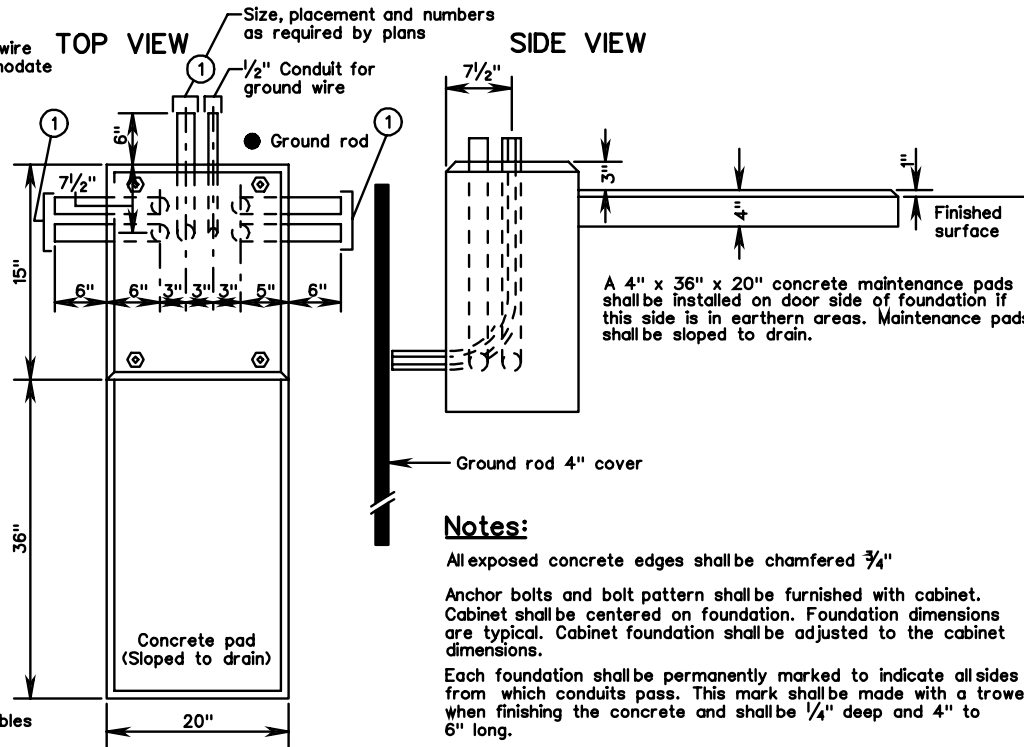
Back panel shall be stainless steel or aluminum.



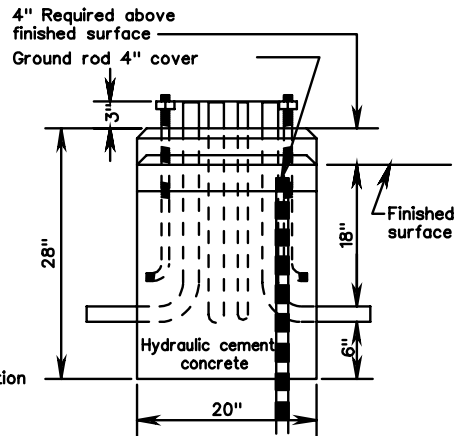
TYPICAL BOX DETAIL

Height 36" minimum  
Width 12" minimum  
Depth 8.5" minimum

Cabinet material, finish and construction as required for controller cabinets.



FRONT VIEW



TYPICAL FOUNDATION DETAIL

**Notes:**

All exposed concrete edges shall be chamfered  $\frac{3}{4}$ "

Anchor bolts and bolt pattern shall be furnished with cabinet. Cabinet shall be centered on foundation. Foundation dimensions are typical. Cabinet foundation shall be adjusted to the cabinet dimensions.

Each foundation shall be permanently marked to indicate all sides from which conduits pass. This mark shall be made with a steel when finishing the concrete and shall be  $\frac{1}{4}$ " deep and 4" to 6" long.

The enclosure at the inside and outside foundation joints shall be sealed with a silicone sealant.

Bell ends shall be installed on each end of PVC conduits. Empty conduits shall be plugged to prevent moisture and rodent entry.

Grounding bushings shall be installed on each end of metal conduits. Empty conduits shall be plugged to prevent moisture and rodent entry.

Two -  $\frac{1}{2}$ " diameter weepholes shall be provided in the foundation and located 2" inside of the back or side edges of the controller cabinet. Weepholes shall be sloped to allow outlet to be 3" below top of foundation. Two inches of the outlet end shall be fiber filled.

The anchor bolts shall extend  $\frac{1}{4}$ " to  $\frac{3}{4}$ " above the top of the nut after installation of the nuts, washers and cabinet.

Spare conduits, if required by the plans, shall have bell ends or grounding bushings installed on PVC and metal conduits, respectively and shall be plugged to prevent moisture and rodent entry.

Voids remaining after conductors exit or enter bell ends or bushings of conduits shall be sealed with silicone to prevent moisture and rodent entry.

# ABOVE GROUND CABLE TERMINAL ENCLOSURE AND CONDUIT PLACEMENT DETAILS